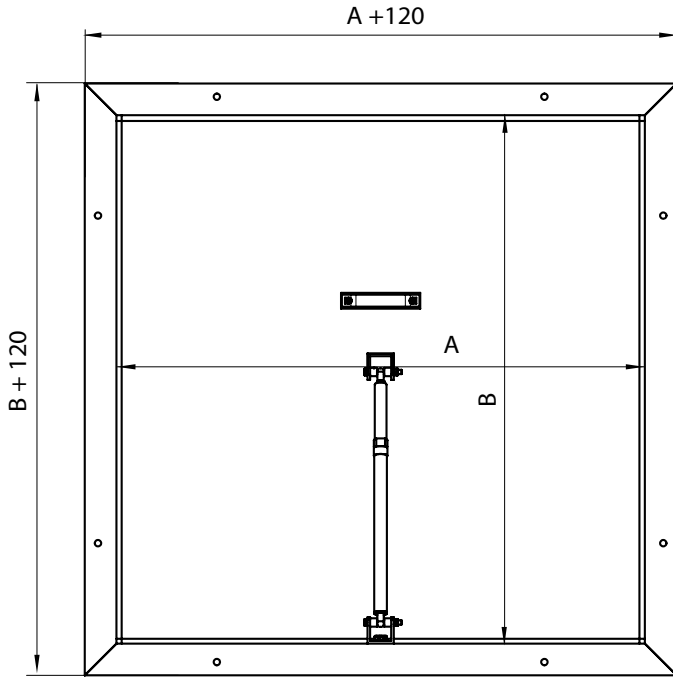
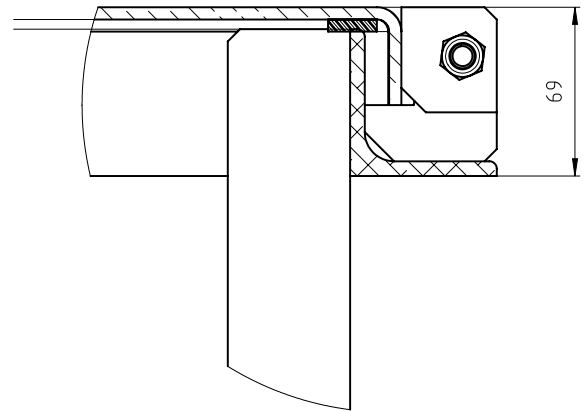
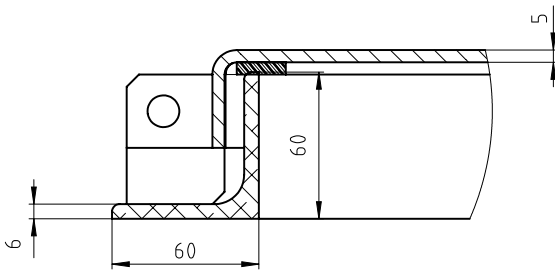
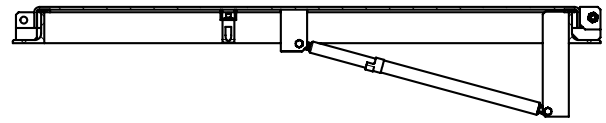

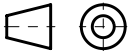


Hinged floor door type OP



Standard sizes in mm		
Type	A	B
OP-800-800	800 x	800
OP-1000-1000	1000 x	1000
OP-1000-1500	1000 x	1500
OP-1000-2000	1000 x	2000



				Weight	Surface	Volume	Material	The Gorter Company BV		
				General tolerances according to DIN / ISO 13920 -C				Surface treatment	PO Box 265 NL-1740 AG SCHAGEN www.gortergroup.com E-mail: sales@gortergroup.com Tel: +31 224 21 98 60 Fax: +31 224 21 98 61	
				Drawn	Date	Name	Designation			
				Checked			Floor door OP			
				Projection view		Scale	Drawing number		1/1	
							OP - A x B			

Copyright © 2019 by The Gorter Company BV - Schagen, the Netherlands

All rights reserved. This drawing is the property of publisher and incorporates specifications and designs in which publisher has proprietary rights. No part may be reproduced, stored in a database or retrieval system or published in any form or any way without prior written permission from the publisher.

Version: 201901V5C