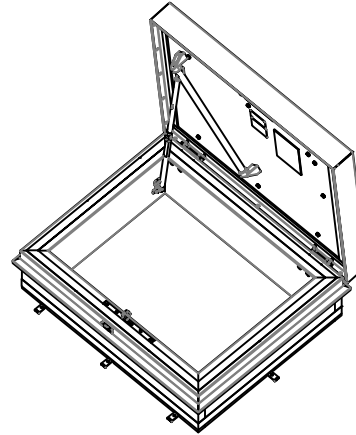
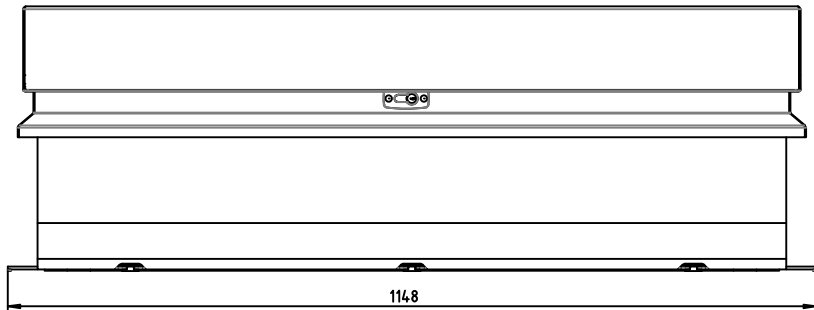
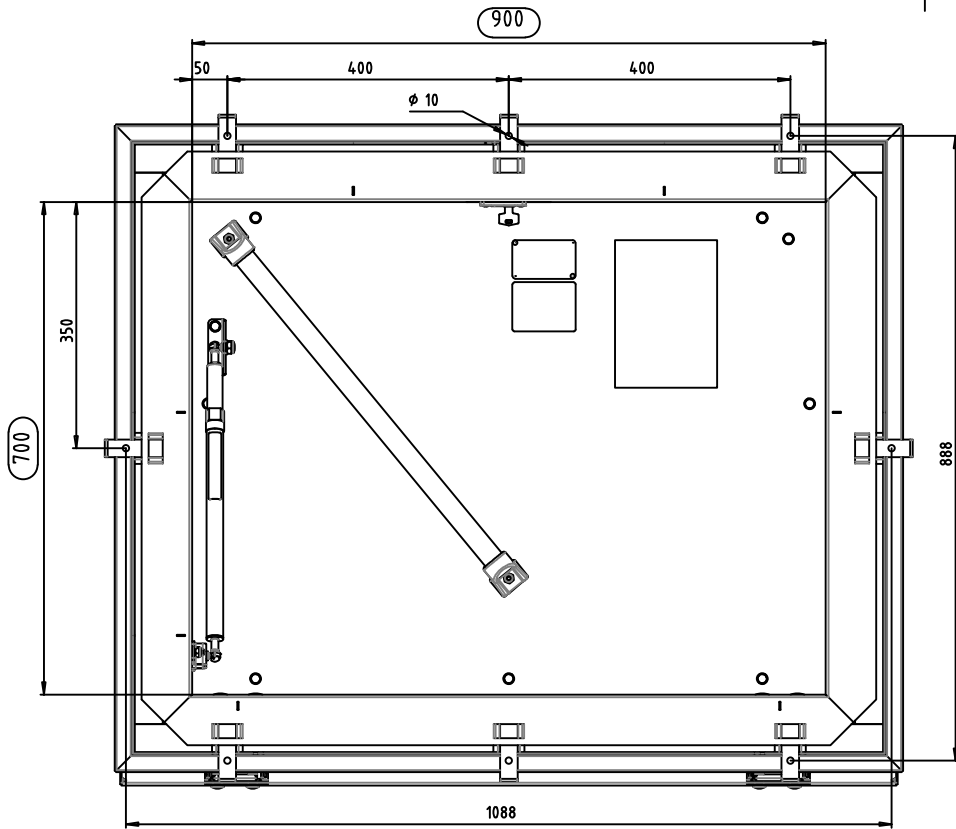
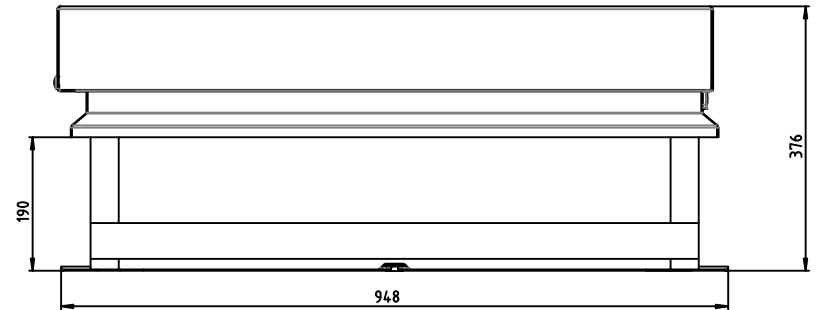
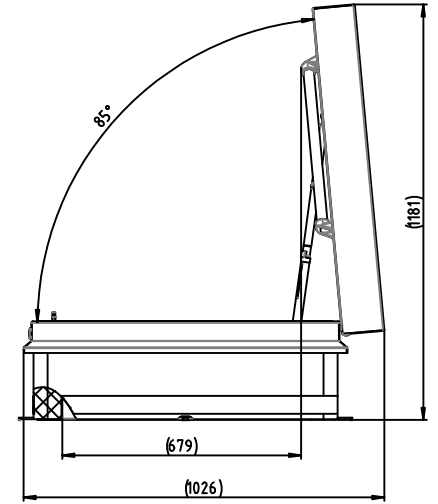


Copyright © 2018 by The Gorter Company BV - Schagen, the Netherlands
 All rights reserved. This drawing is the property of publisher and incorporates specifications and designs in which publisher has proprietary rights.
 No part may be reproduced, stored in a database or retrieval system or published in any form or any way without prior written permission from the publisher.



SCALE 1 : 15



| | | | | | | | | | |
|--|--|--|--|--|--|--|--|---|--|
| | | | | | | | | The Gorter Company BV | |
| | | | | | | | | PO Box 265 NL-1740 AG SCHAGEN t: +31 224 21 98 00 f: +31 224 21 98 01 Fax: +31 224 21 98 11 | |
| | | | | | | | | Designation Roof Hatch RHT | |
| | | | | | | | | Projection view: | |
| | | | | | | | | Scale: 1:5 | |
| | | | | | | | | Drawing number: RHT-0700-0900 | |
| | | | | | | | | Date: 00 | |
| | | | | | | | | Version: 1/1 A2 | |

Version: 201701V1