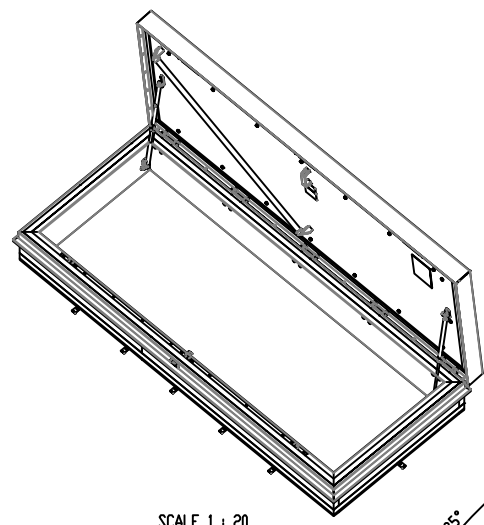
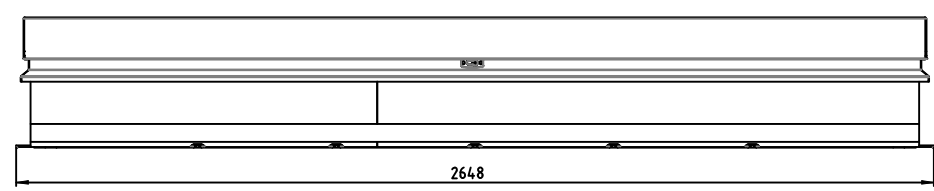
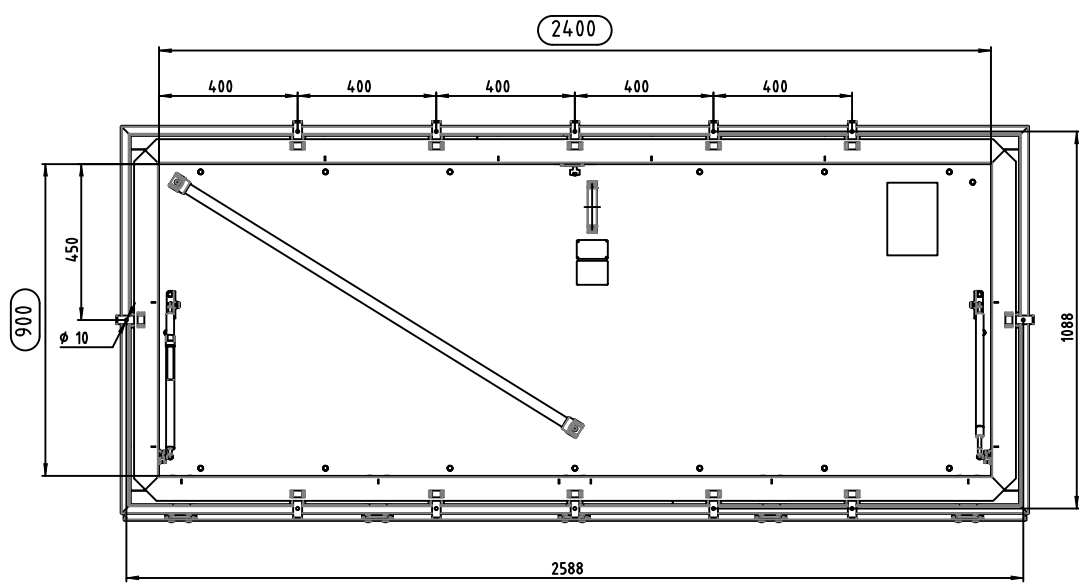
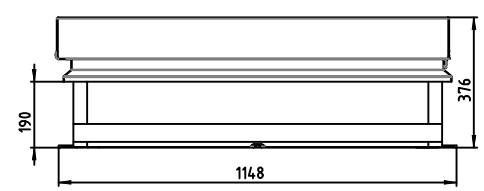
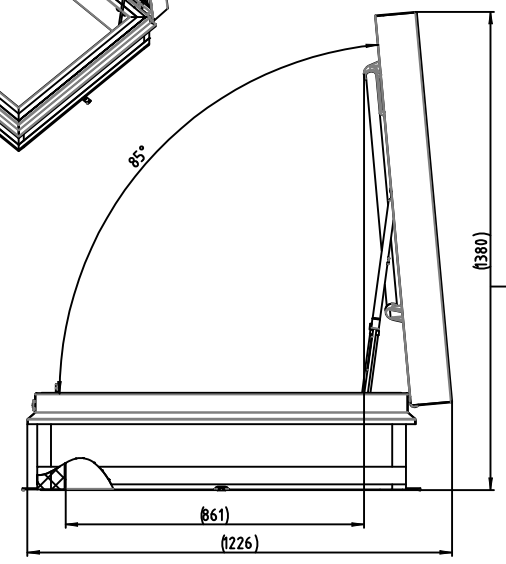


Copyright © 2018 by The Gortor Company BV - Schagen, the Netherlands
 All rights reserved. This drawing is the property of publisher and incorporates specifications and designs in which publisher has proprietary rights.
 No part may be reproduced, stored in a database or retrieval system or published in any form or any way without prior written permission from the publisher.



SCALE 1 : 20



Projection view		Scale		Drawing number		Rev.		The Gortor Company BV	
		1:10		RHT-0900-2400		00		Designation Roof Hatch RHT PO Box 285 NL-7740 ZJ Schagen www.gortor.com E-mail: info@gortor.com Tel: +31 224 21 98 00 Fax: +31 224 21 98 11	
								Version: 201701V1	
								1/1 A2	