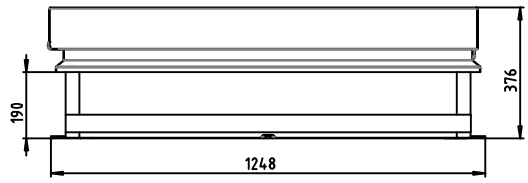
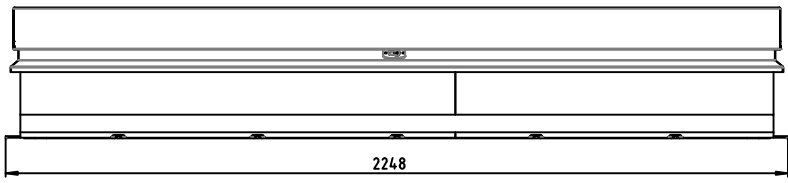
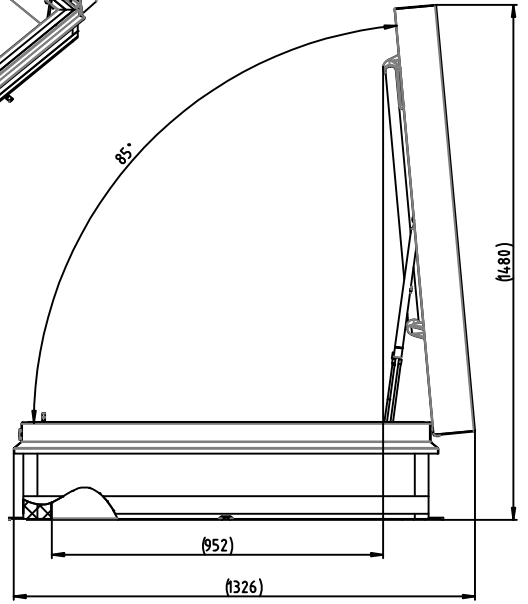
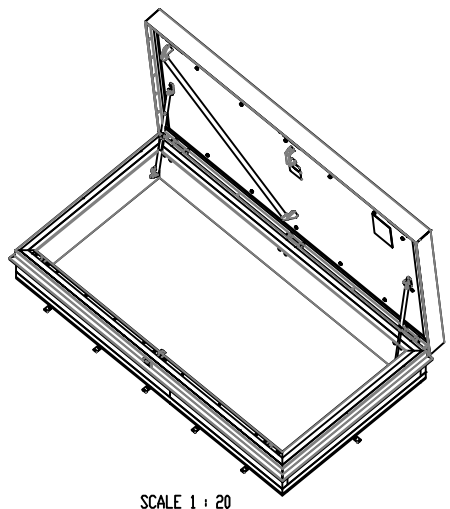
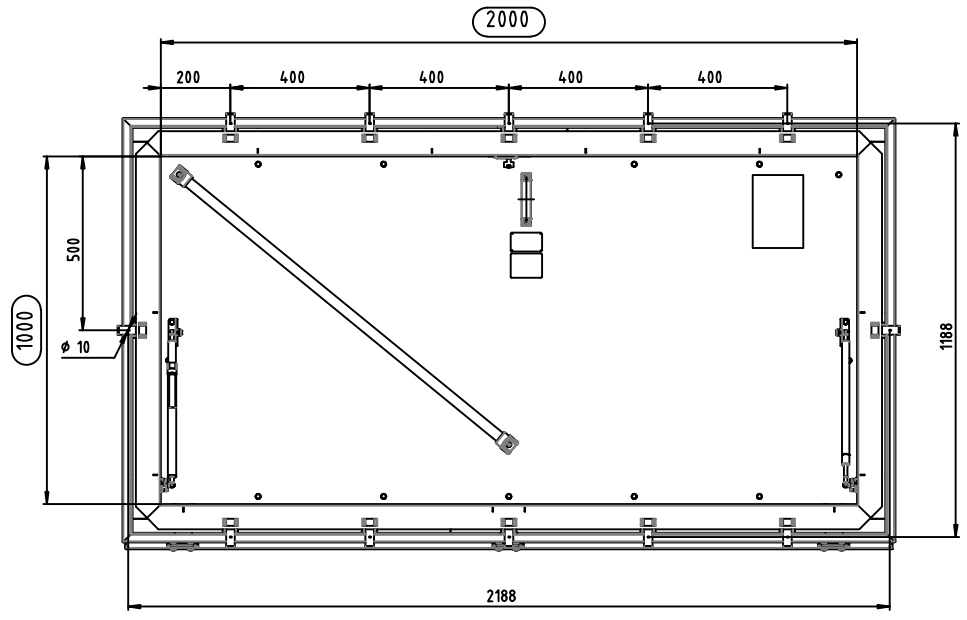




Copyright © 2018 by The Gorter Company BV - Schagen, the Netherlands
 All rights reserved. This drawing is the property of publisher and incorporates specifications and designs in which publisher has proprietary rights.
 No part may be reproduced, stored in a database or retrieval system or published in any form or any way without prior written permission from the publisher.



		The Gorter Company BV	
		PO Box 205 NL-1740 AG SCHAGEN www.gorters.com Email: sales@gorters.com Tel: +31 224 21 95 01 Fax: +31 224 21 95 81	
			
		Description Roof Hatch RHT	
Projection view	Scale	Drawing number	Rev.
	1:10	RHT-1000-2000	00
			1/1
			A2

Version: 201701V1