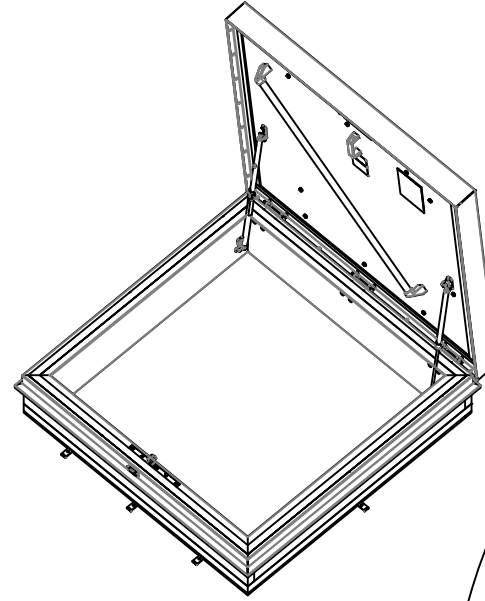
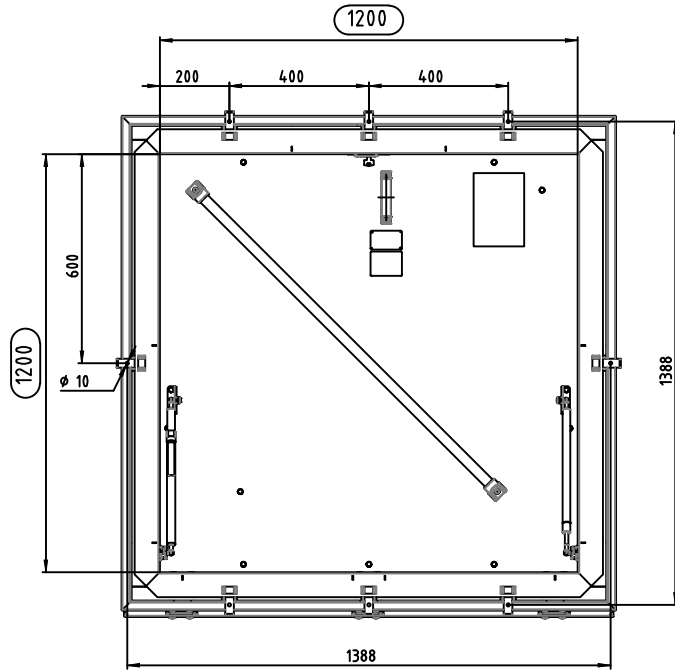
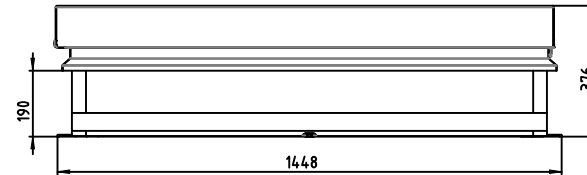
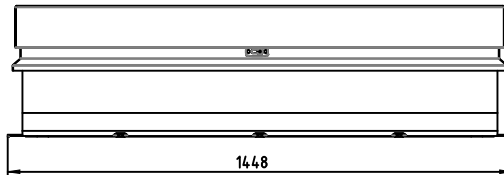
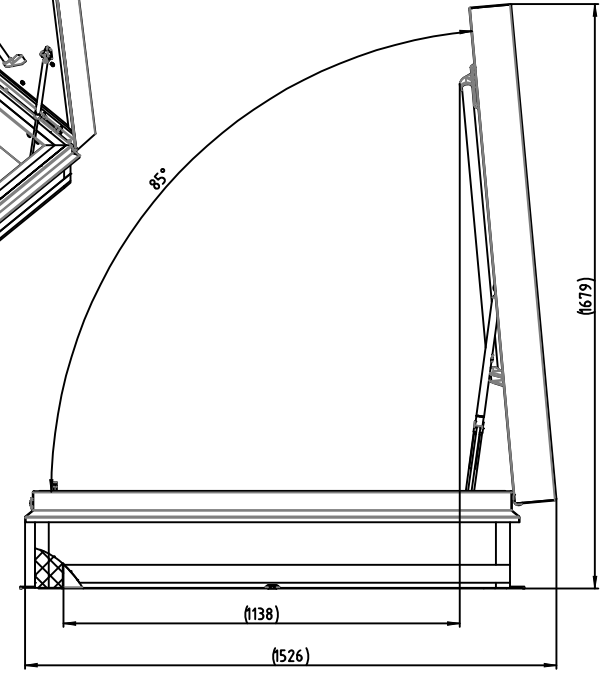


Copyright © 2018 by The Gortor Company BV - Schagen, the Netherlands  
 All rights reserved. This drawing is the property of publisher and incorporates  
 No part may be reproduced, stored in a database or retrieval system or published in any form or any way without prior written permission from the publisher.



SCALE 1 : 15



										The Gortor Company BV	
										PO Box 998 NL 1700 AG SCHAGEN <a href="http://www.gortor.com">www.gortor.com</a> E-mail: info@gortor.com Tel: +31 224 21 98 61 Fax: +31 224 21 98 61	
										Designation: Roof Hatch RHT	
										Drawing number: RHT-1200-1200	
										Scale: 1:10	
										Rev: 00	
										1/1 A2	