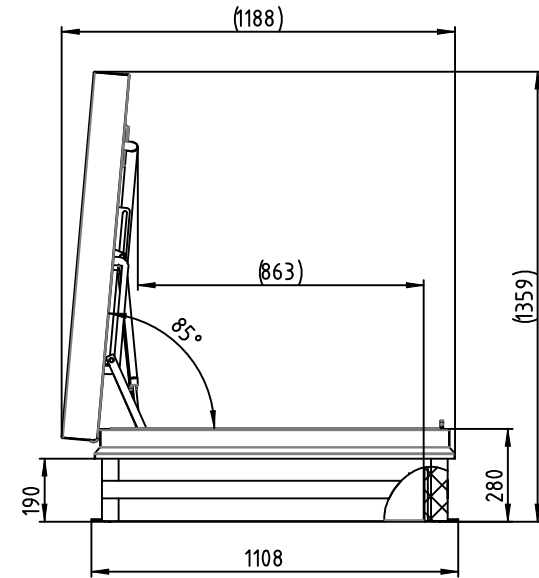
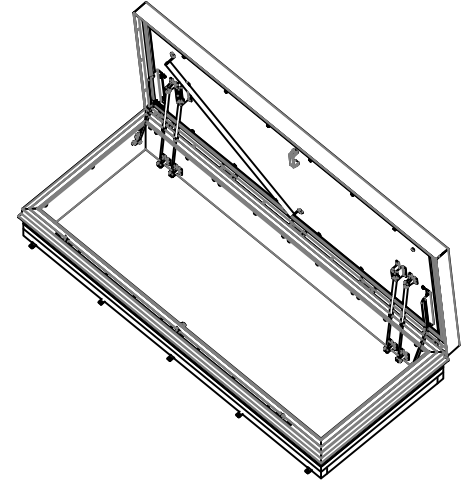
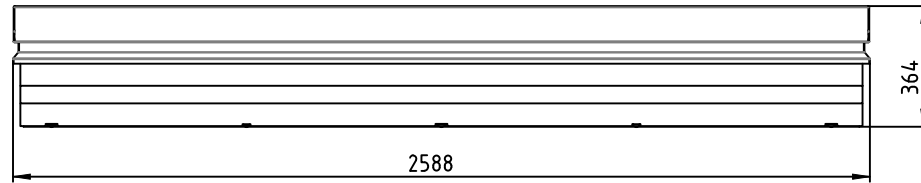
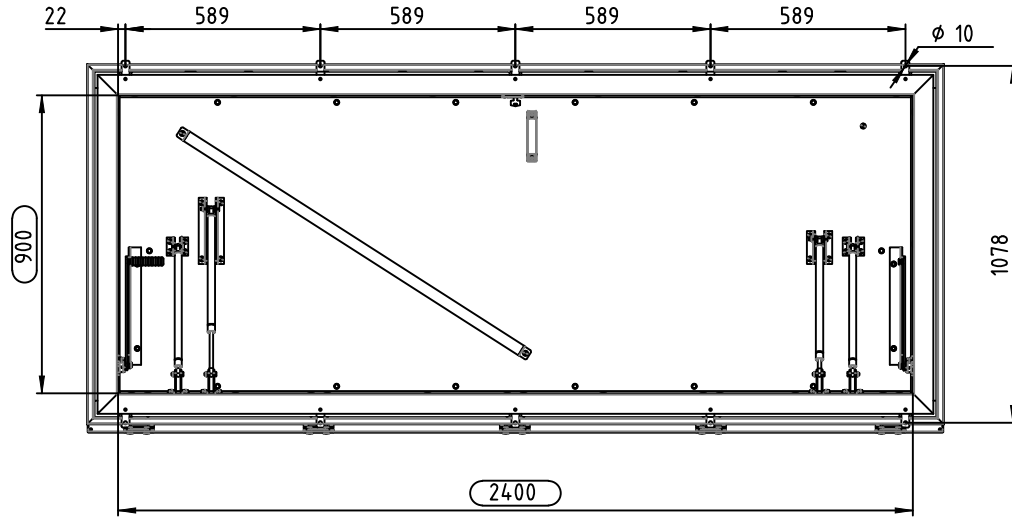


Copyright © 2017 by The Gortier Company BV - Schagen, the Netherlands  
 All rights reserved. This drawing is the property of publisher and corporate specifications and designs in which publisher has proprietary rights.  
 No part may be reproduced, stored in a database or retrieval system or published in any form or any way without prior written permission from the publisher.



								The Gortier Company BV	
								PO Box 265 NL-1740 AG SCHAGEN www.gortiergroup.com E-mail: sales@gortiergroup.com Tel: +31 224 21 98 60 Fax: +31 224 21 98 61	
								Designation Fire Rated Roof Hatch RHT-EI	
								Drawing number RHTEI-0900-2400	
								Rev. 1/1	
								Scale 1:10	
								Projection view 	
								A3	