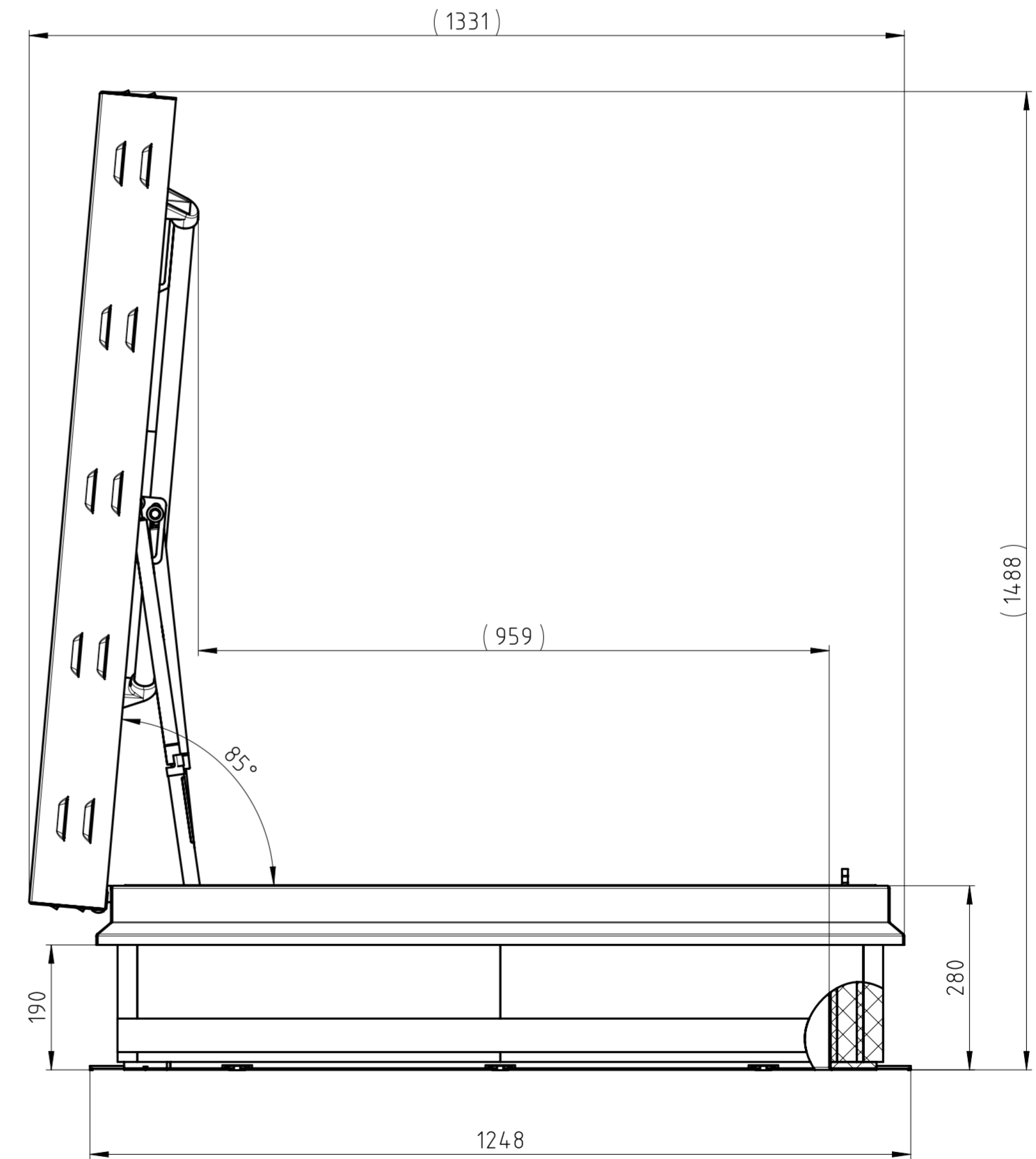
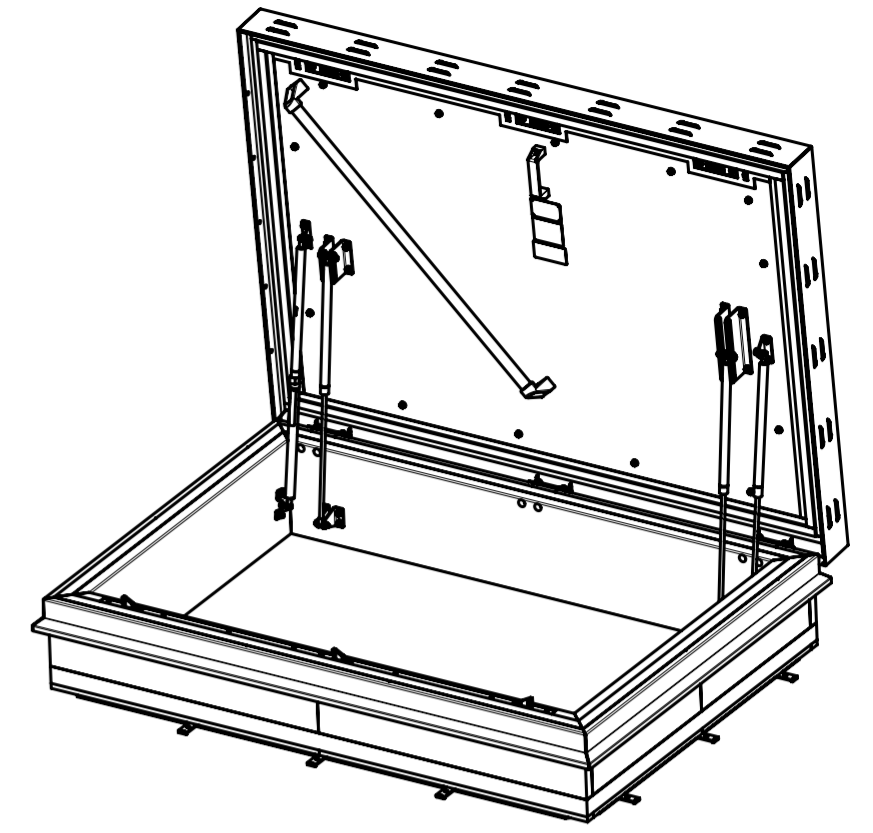
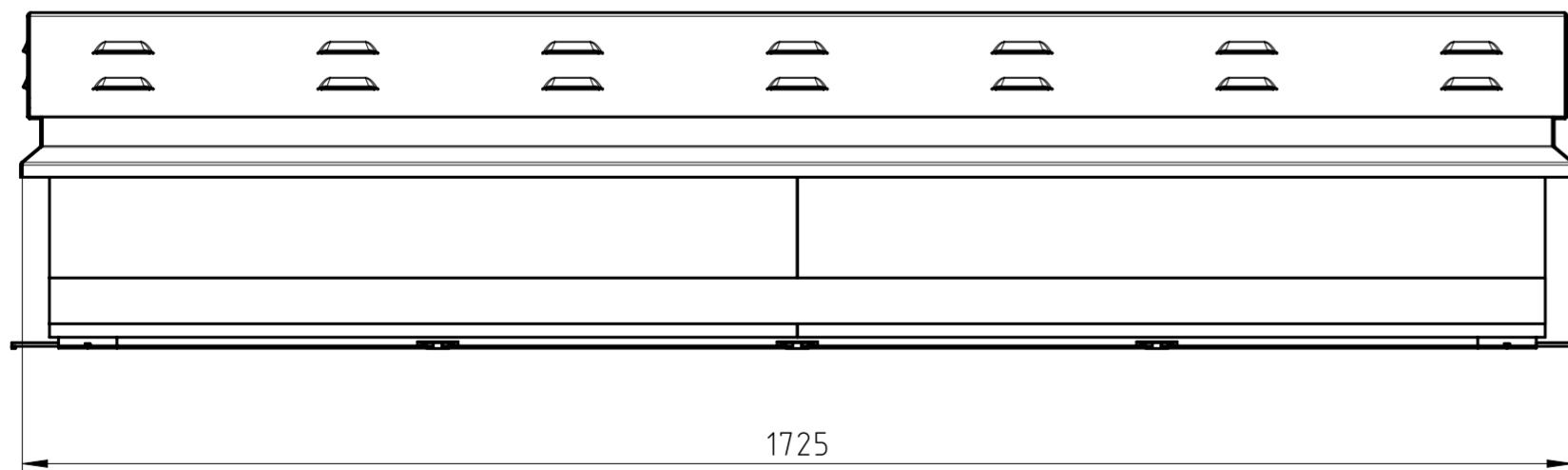
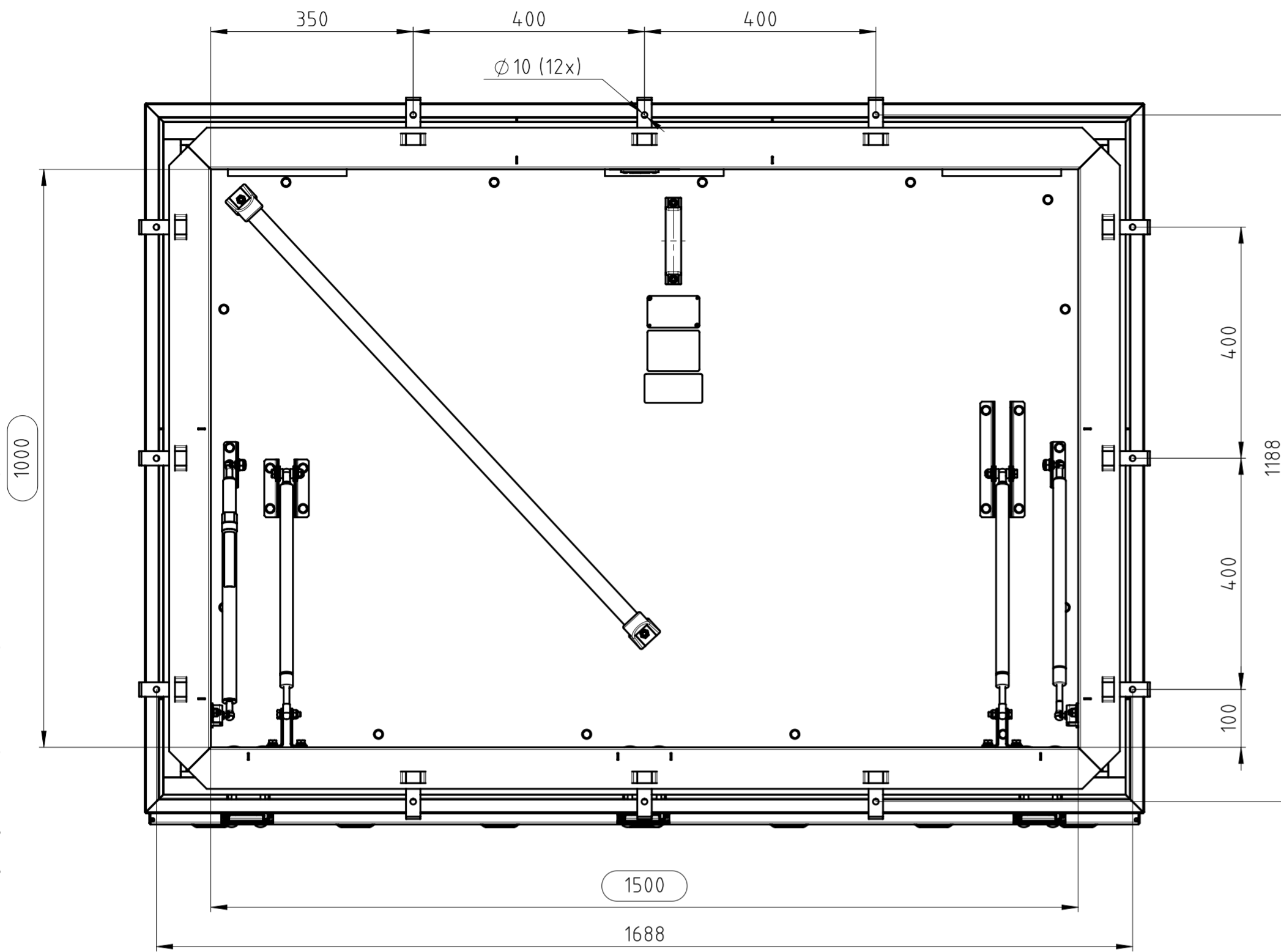


Copyright © 2018 by The Gortor Company BV - Schagen, the Netherlands
 All rights reserved. This drawing is the property of publisher and incorporates specifications and designs in which publisher has proprietary rights.
 No part may be reproduced, stored in a database or retrieval system or published in any form or any way without prior written permission from the publisher.



				The Gortor Company BV	
				PO Box 265 NL-1740 AG SCHAGEN www.gortorgroup.com E-mail: sales@gortorgroup.com Tel: +31 224 21 98 60 Fax: +31 224 21 98 61	
		Designation		Roof Hatch RHTEI	
		Drawing number		RHTEI-1000-1500	
Projection view		Scale		Rev.	
		1:8		1/1	
				A2	