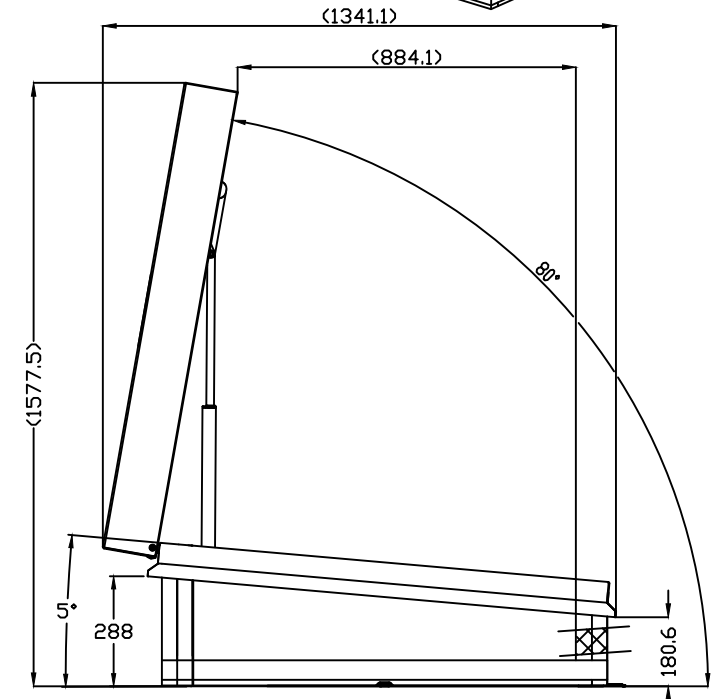
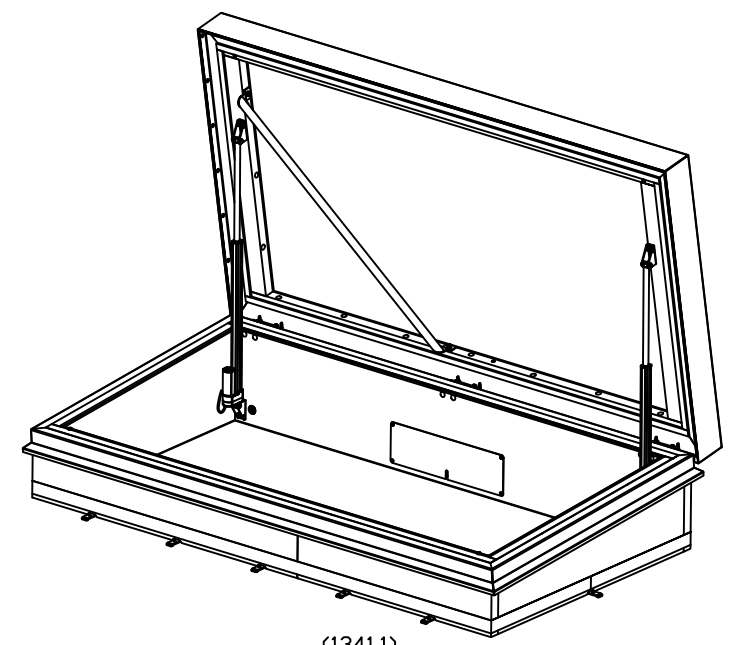
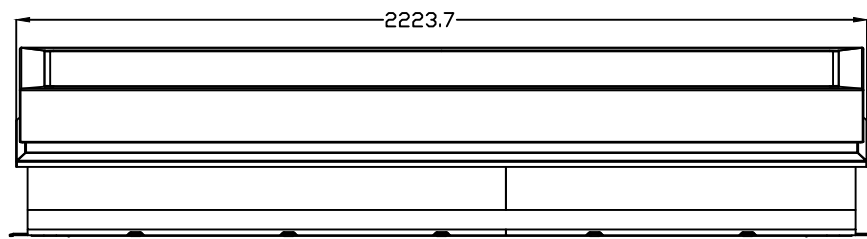
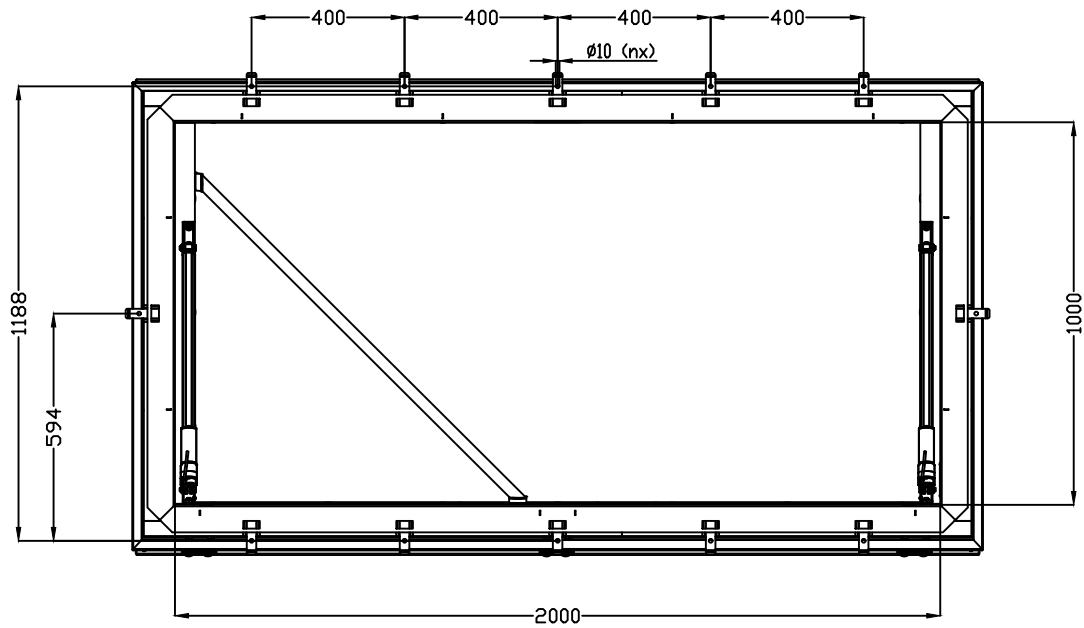


Copyright © 2018 by The Gortor Company BV - Schagen, the Netherlands  
 All rights reserved. This drawing is the property of publisher and incorporates specifications and designs in which publisher has proprietary rights.  
 No part may be reproduced, stored in a database or retrieval system or published in any form or any way without prior written permission from the publisher.



The Gortor Company BV		PO Box 265 NL-1740 AG SCHAGEN www.gortor.com Tel: +31 224 21 88 60 Fax: +31 224 21 99 01	
Designation		Glazed Roof Hatch RHTG	
Projection view	Scale	Drawing number	Rev.
	1:10	RHTG-1000-2000	00
			1/1
			A2