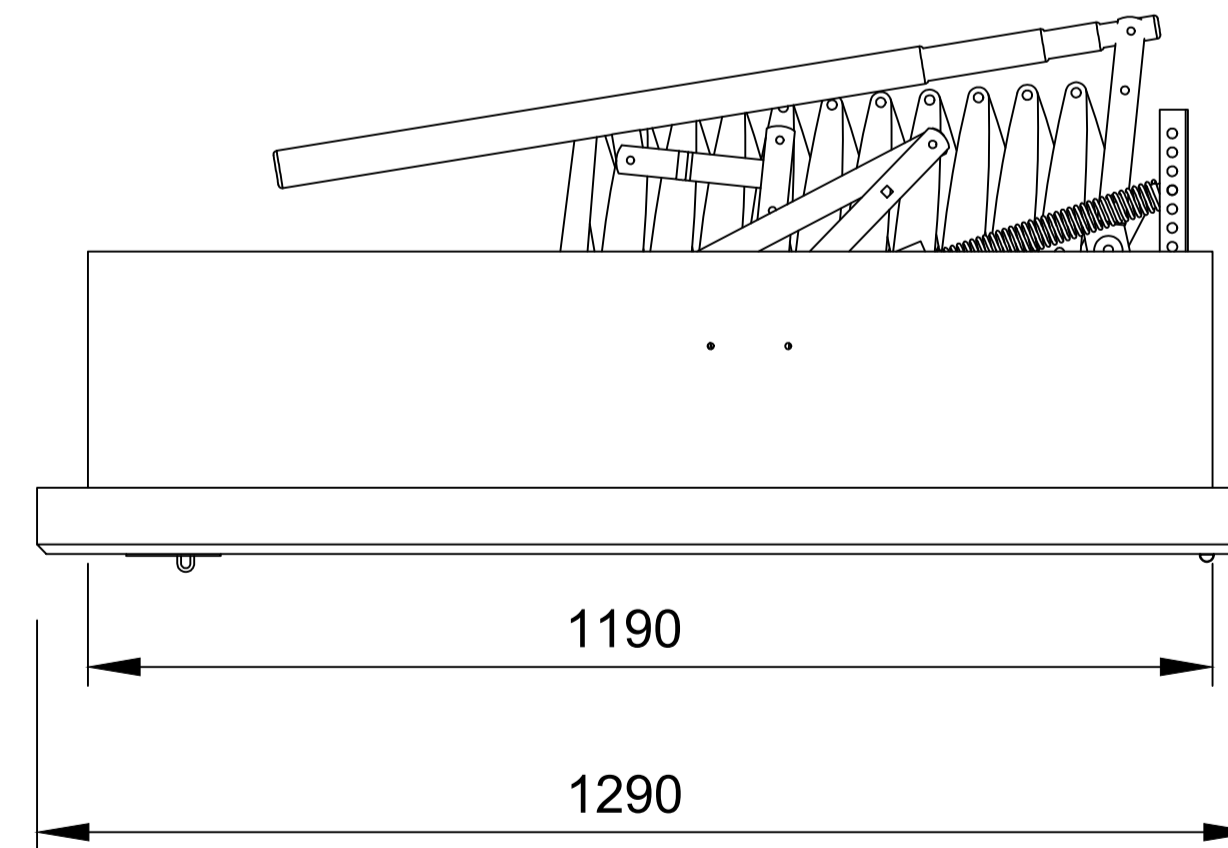
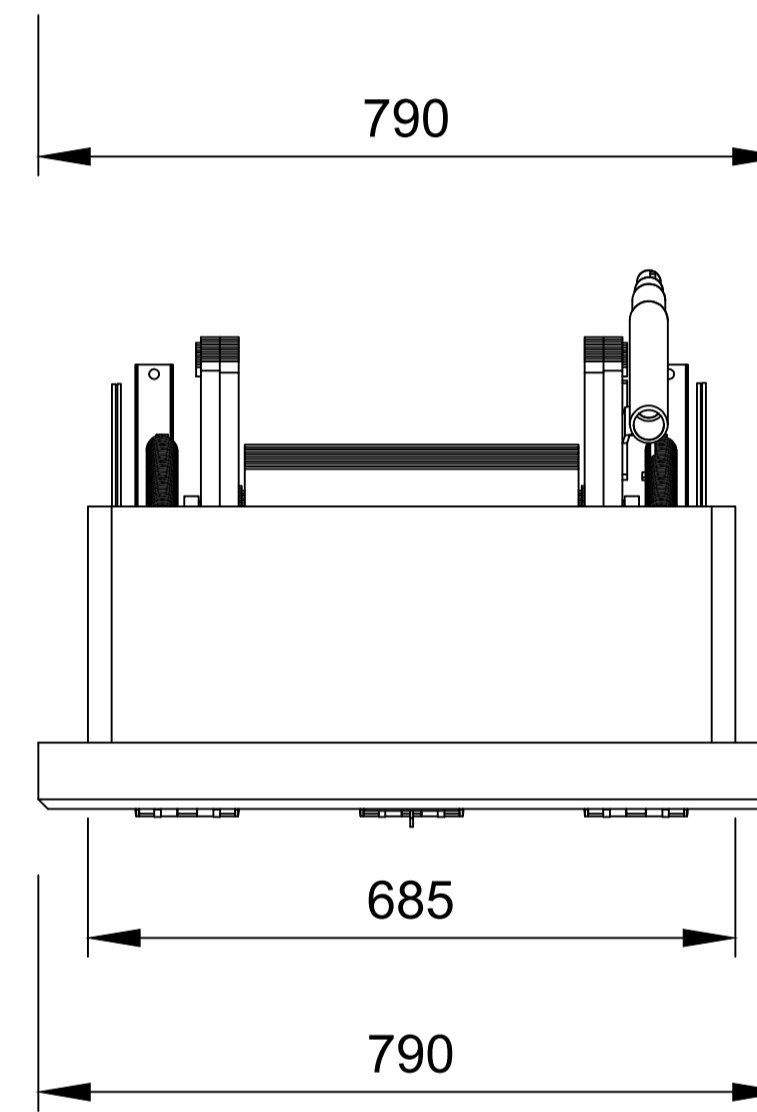
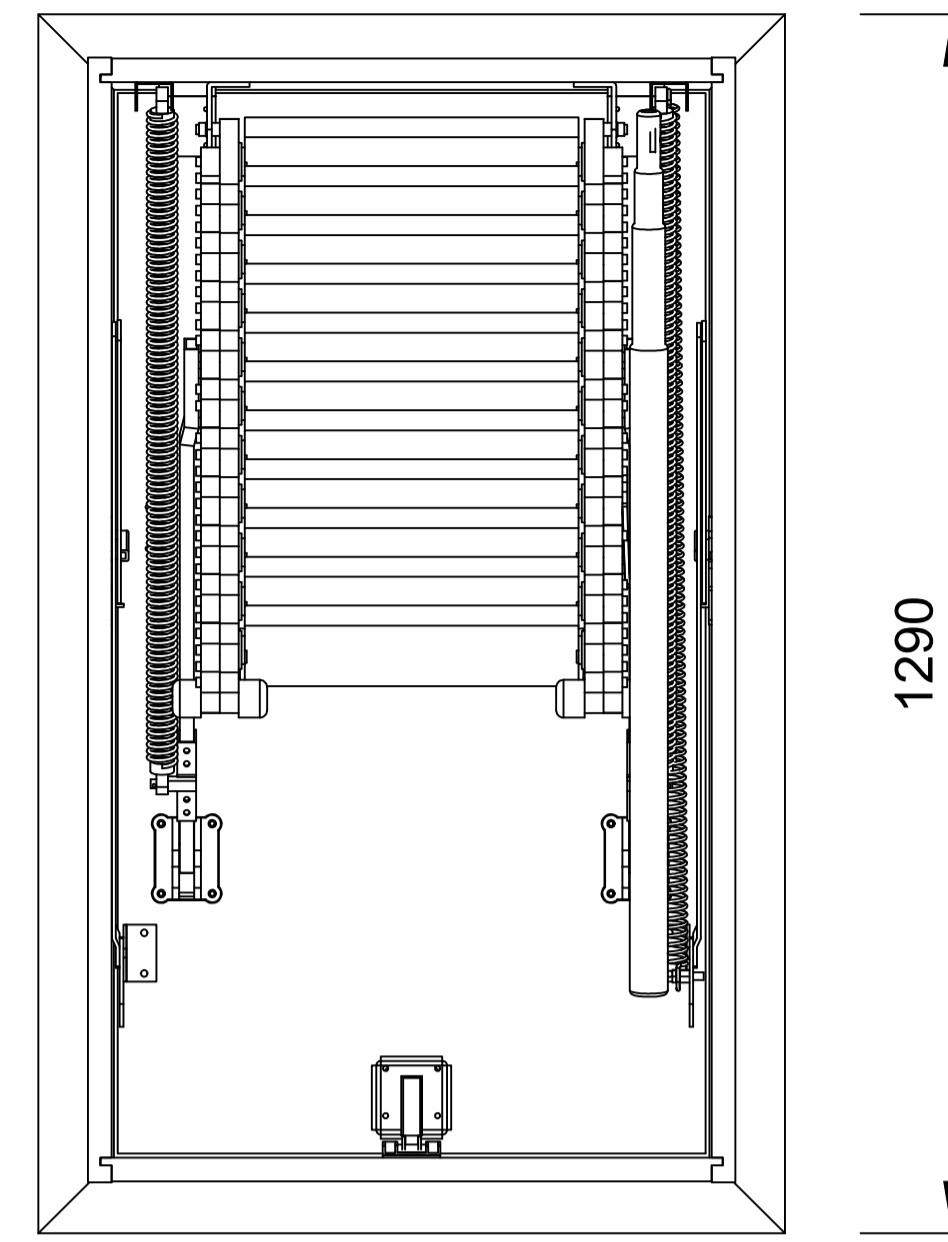
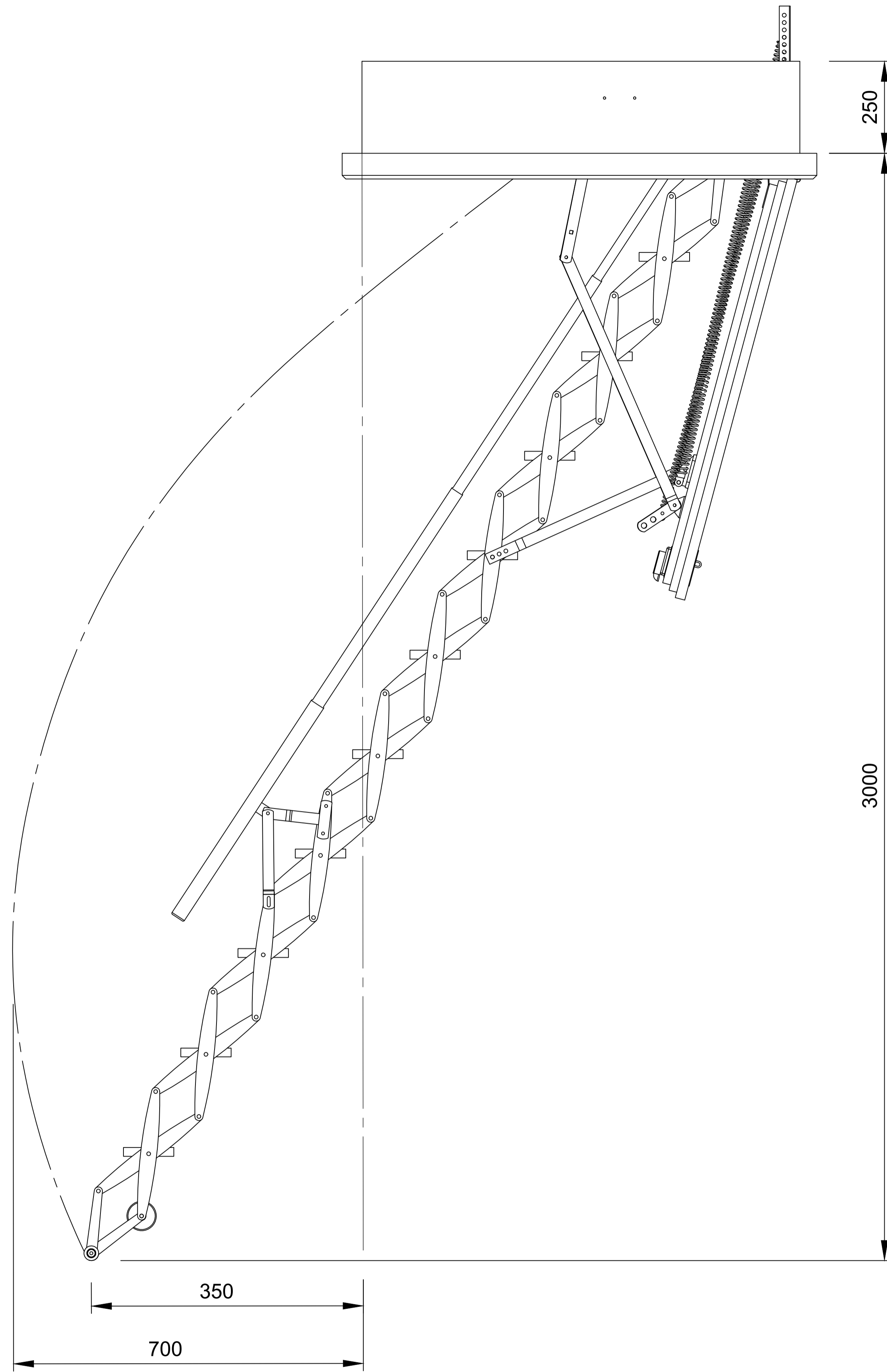


Copyright © 2020 by Gortor Group BV - Schagen, the Netherlands. All rights reserved. This drawing is the property of publisher and incorporates specifications and designs in which publisher has proprietary rights. No part may be reproduced, stored in a database or retrieval system or published in any form or any way without prior written permission from the publisher.



Projection view			Gortor Group BV
Scale	1:8		PO Box 265 NL 1740 AG SCHAGEN www.gortorgroup.com E-mail: sales@gortorgroup.com Tel: +31 224 21 98 60 Fax: +31 224 21 98 61
Designation	Scissor stairs Large Ei-60		
Drawing number	Large Ei-60 700x1200	Rev.	00
			1/1
			A1

