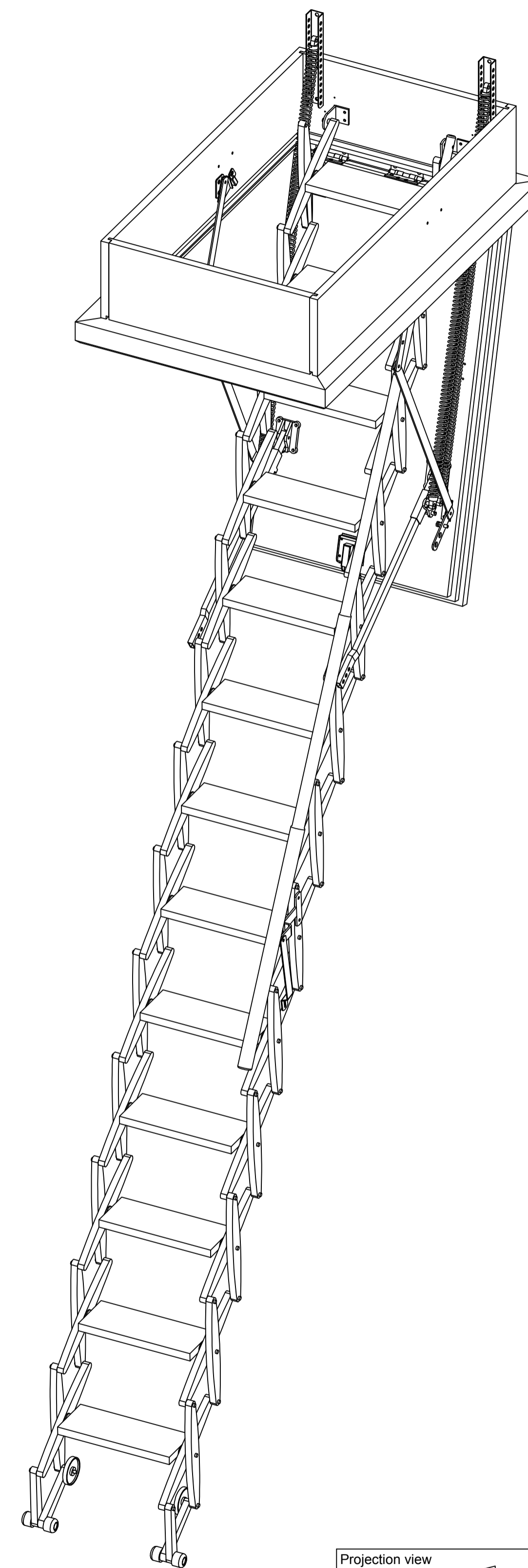
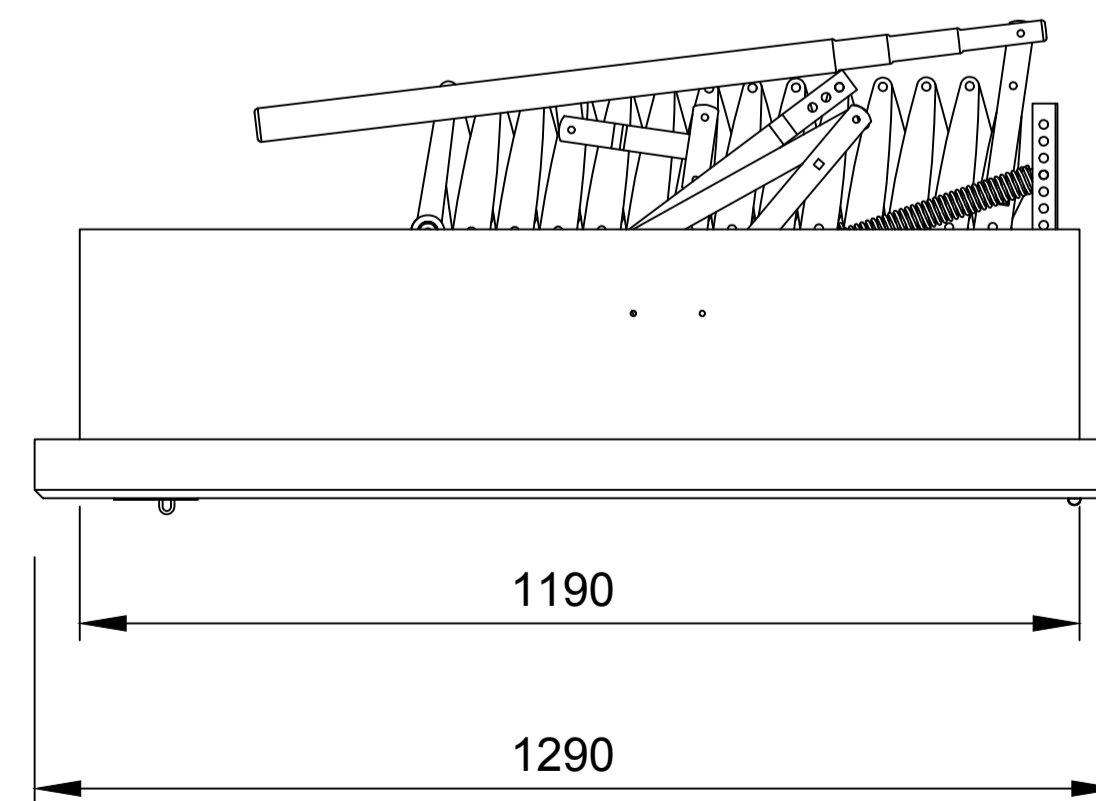
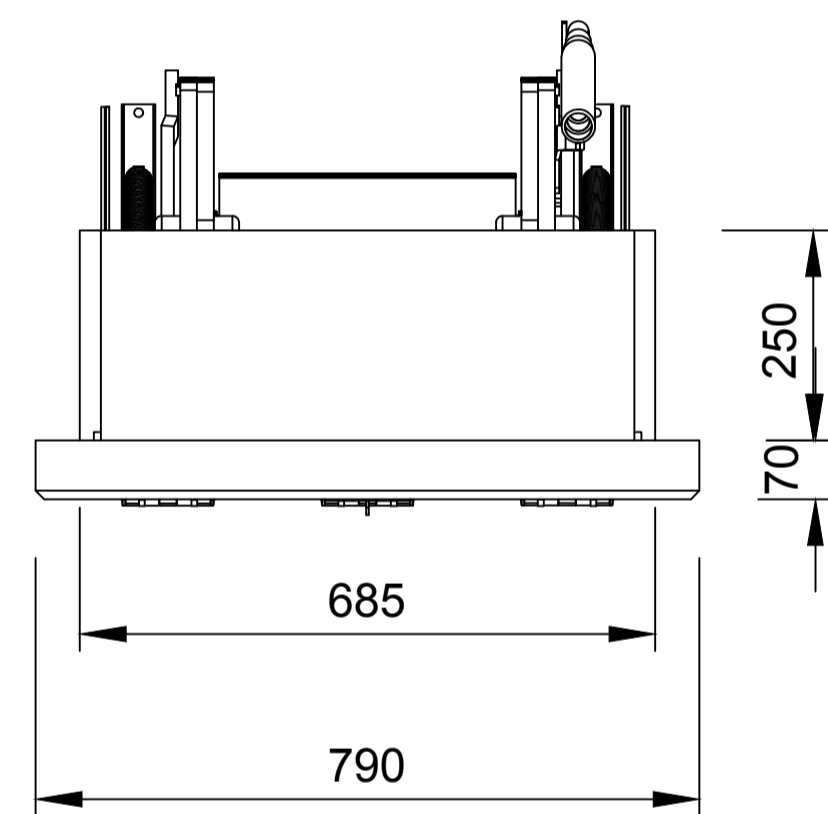
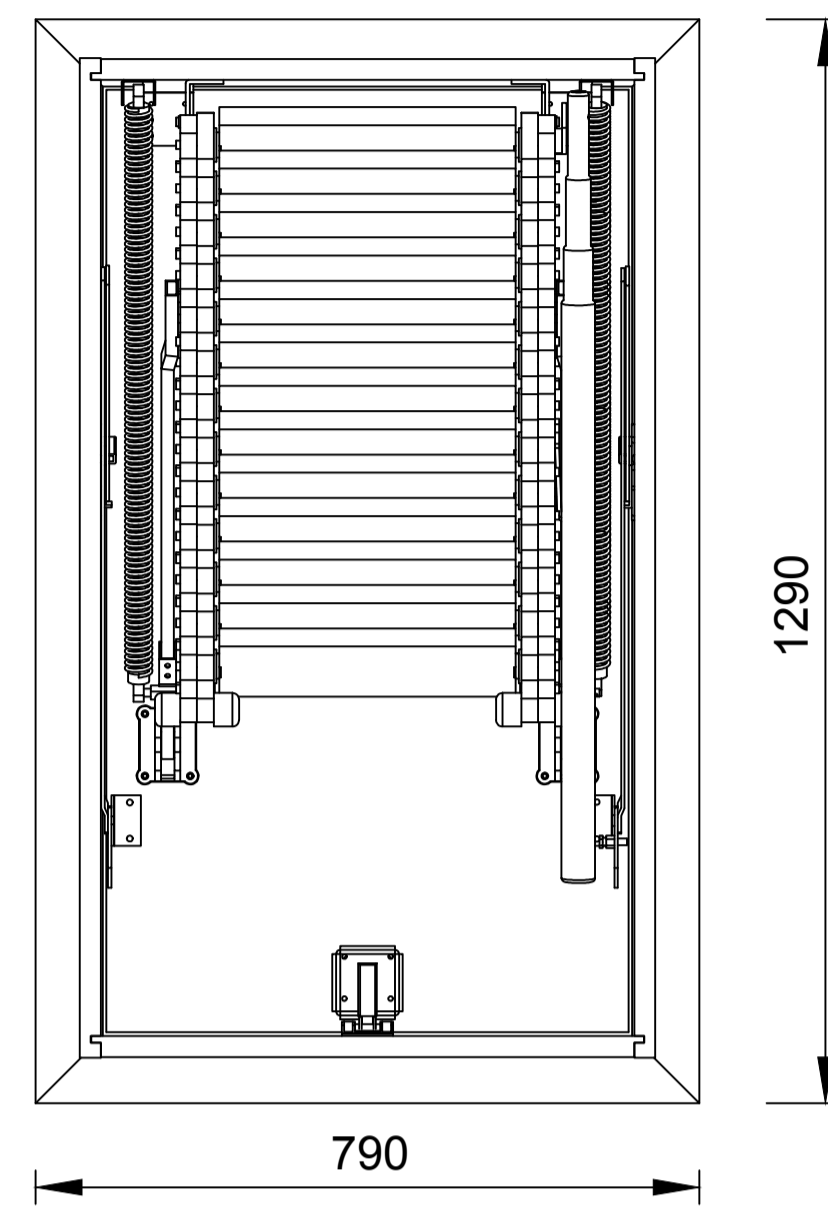
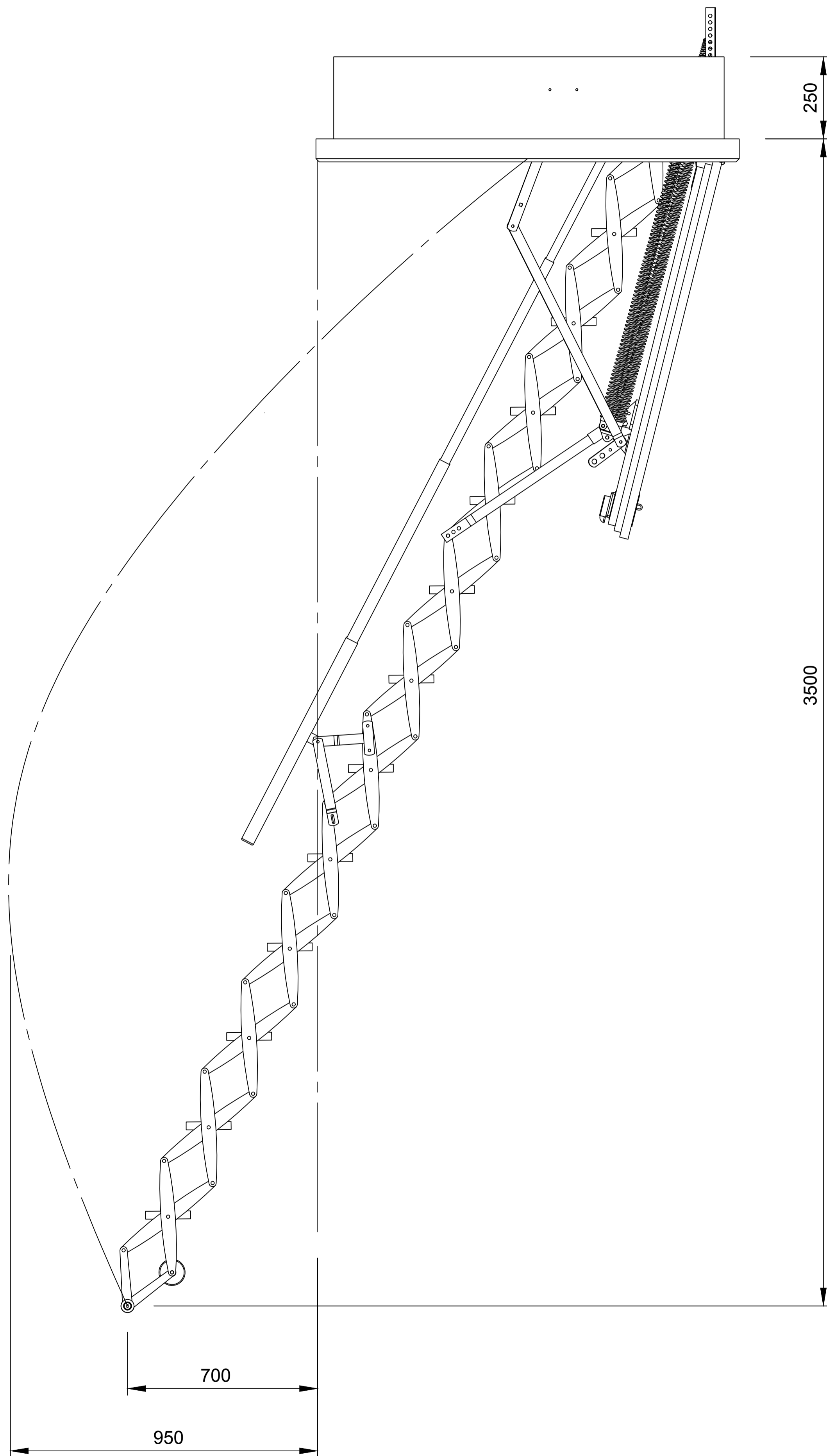
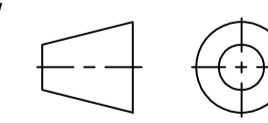


Copyright © 2020 by Gortor Group BV - Schagen, the Netherlands. All rights reserved. This drawing is the property of publisher and incorporates specifications and designs in which publisher has proprietary rights. No part may be reproduced, stored in a database or retrieval system or published in any form or any way without prior written permission from the publisher.



Projection view



Scale

1:9

Designation

Scissor stairs Large Ei-60-H

Drawing number

Large Ei-60-H 700x1200

Rev.

00

1/1

A1

Gortor Group BV

PO Box 265 NL
1740 AG SCHAGEN
www.gortorgroup.com
E-mail: sales@gortorgroup.com
Tel: +31 224 21 98 60
Fax: +31 224 21 98 61

