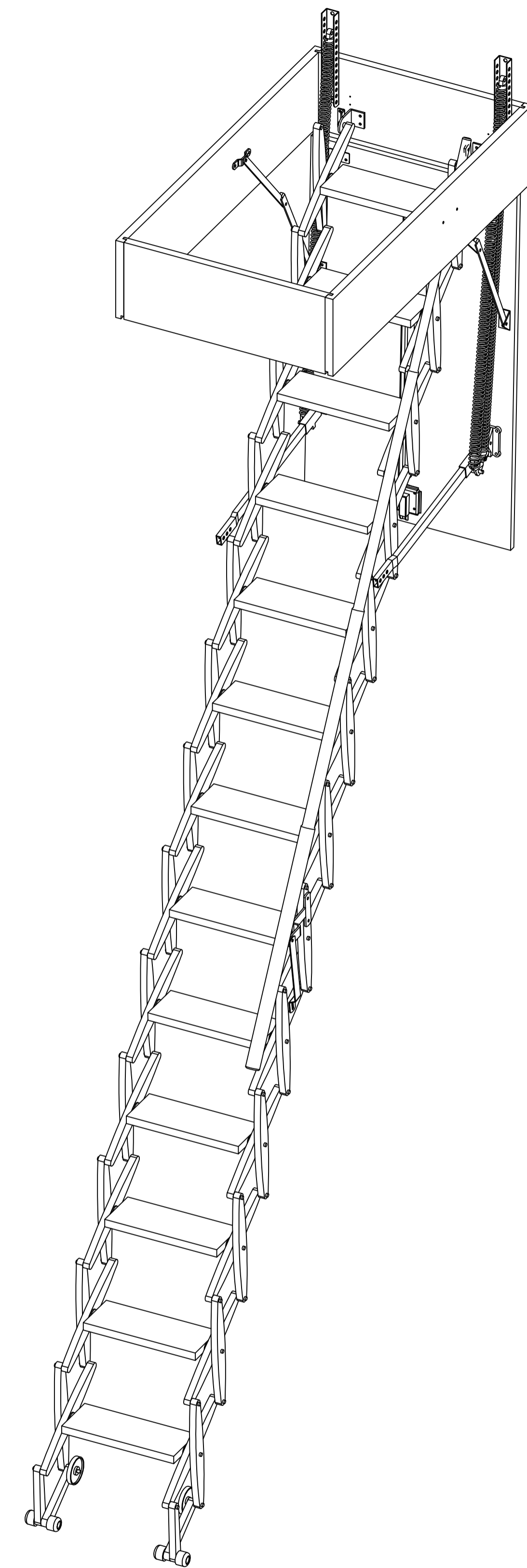
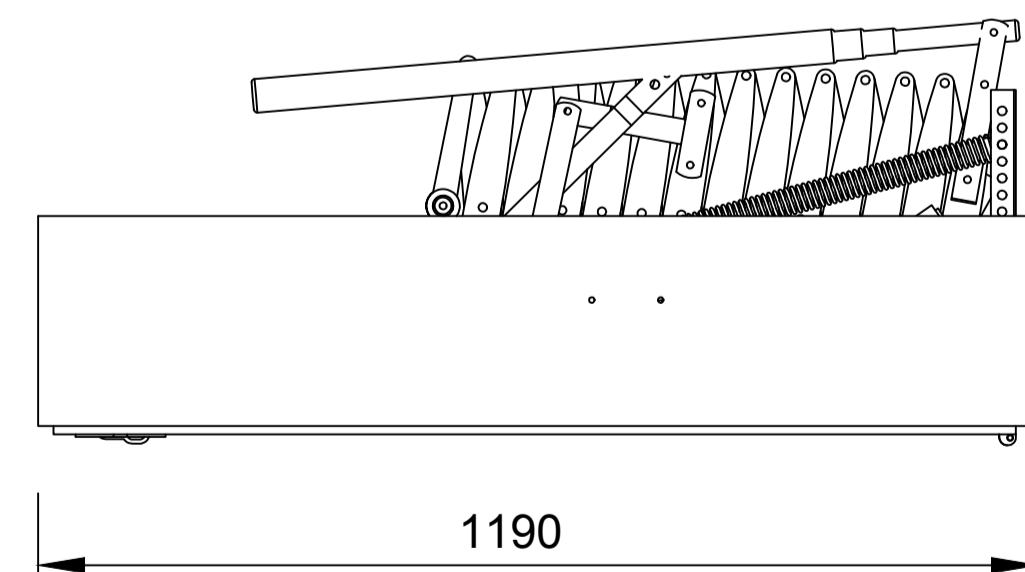
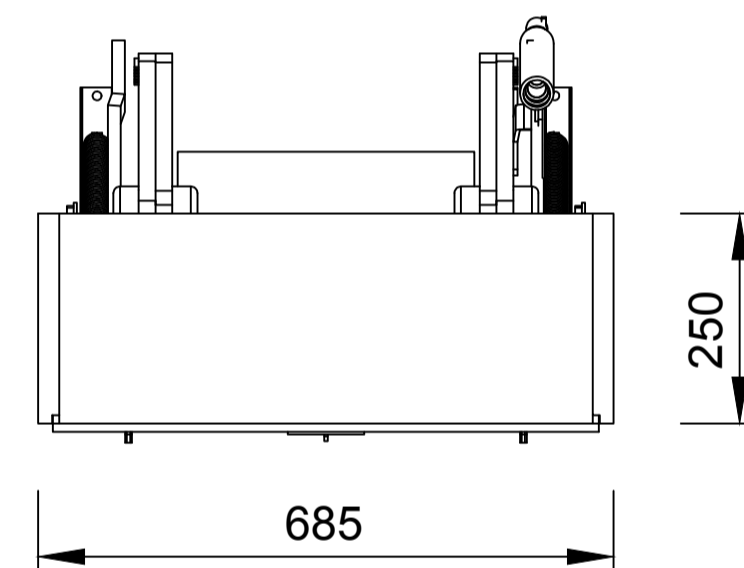
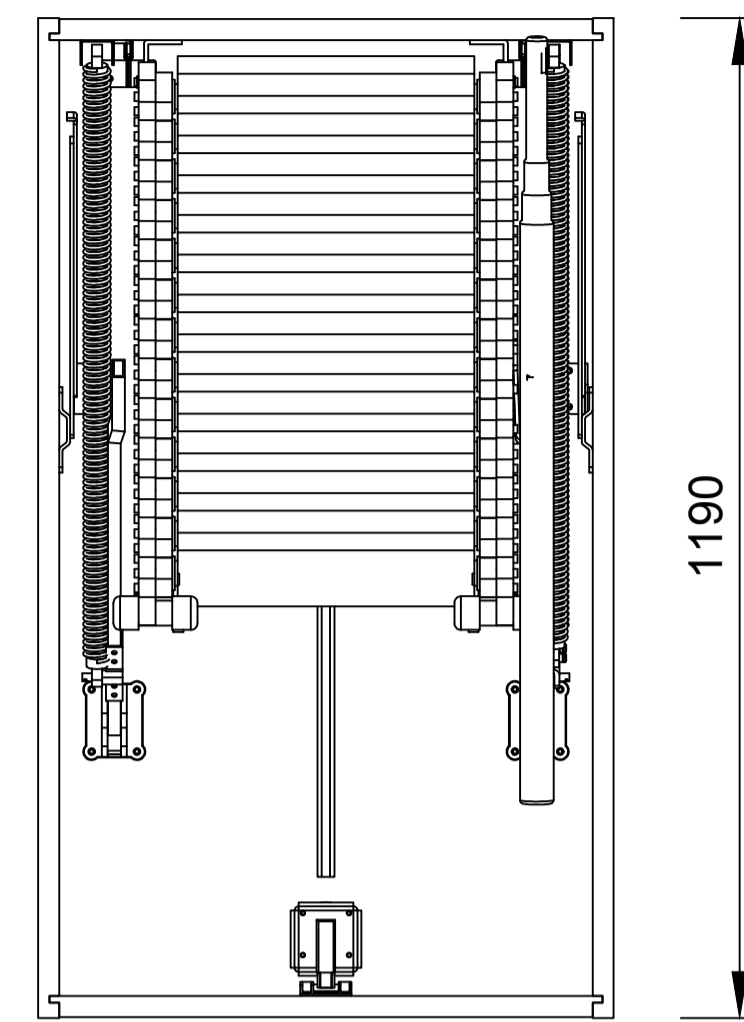
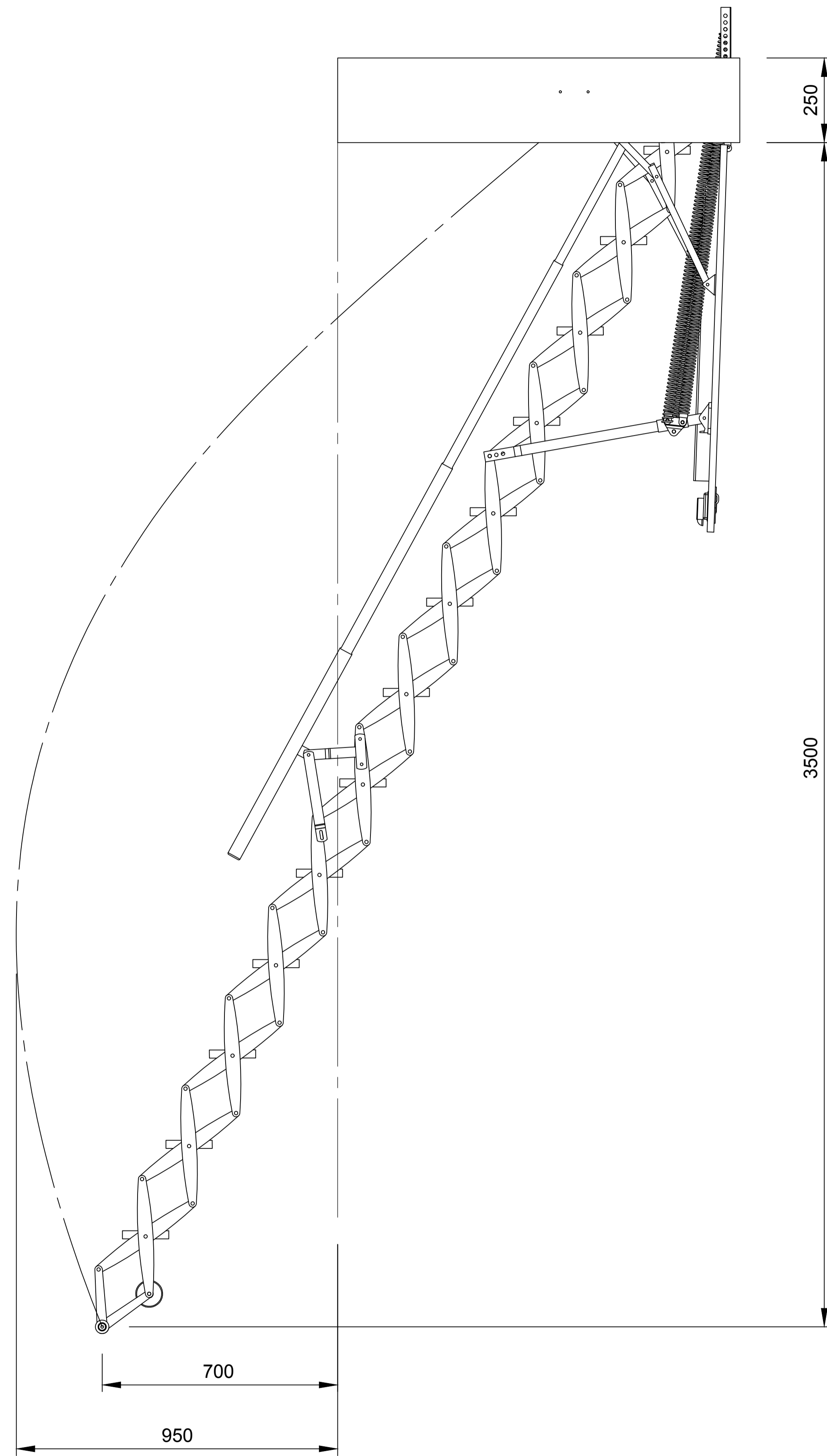


Copyright © 2020 by Gortor Group BV - Schagen, the Netherlands.
 All rights reserved. This drawing is the property of publisher and incorporates specifications and designs in which publisher has proprietary rights.
 No part may be reproduced, stored in a database or retrieval system or published in any form or any way without prior written permission from the publisher.



Projection view		Gortor Group BV	
Scale	1:9	PO Box 265 NL 1740 AG SCHAGEN www.gortorgroup.com E-mail: sales@gortorgroup.com Tel: +31 224 21 98 60 Fax: +31 224 21 98 61	
Designation	Scissor stairs Large Electric-H		
Drawing number	Large 700x1200 Elec.-H	Rev.	1/1
			A1

