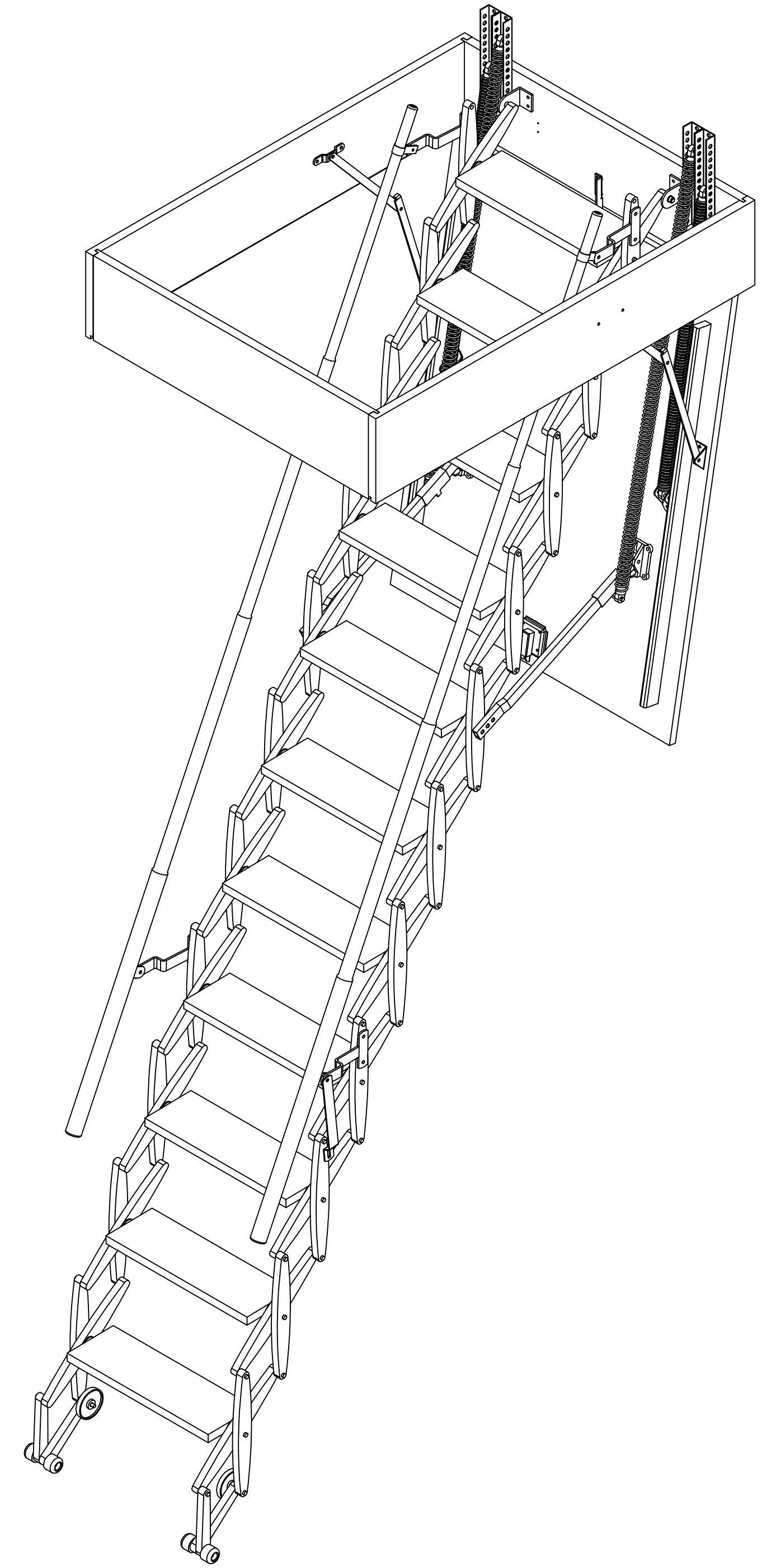
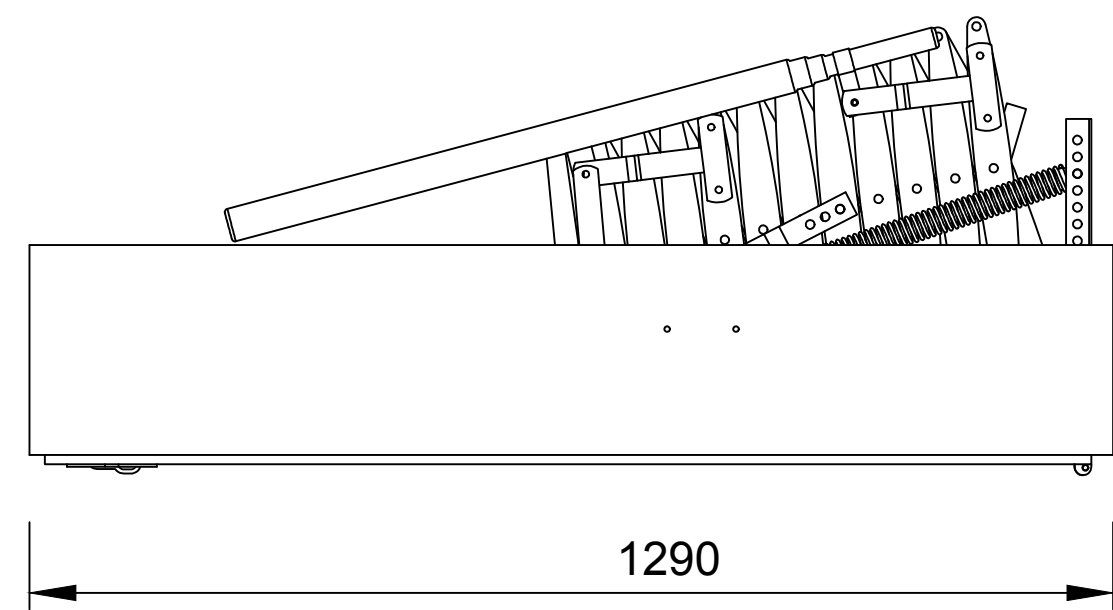
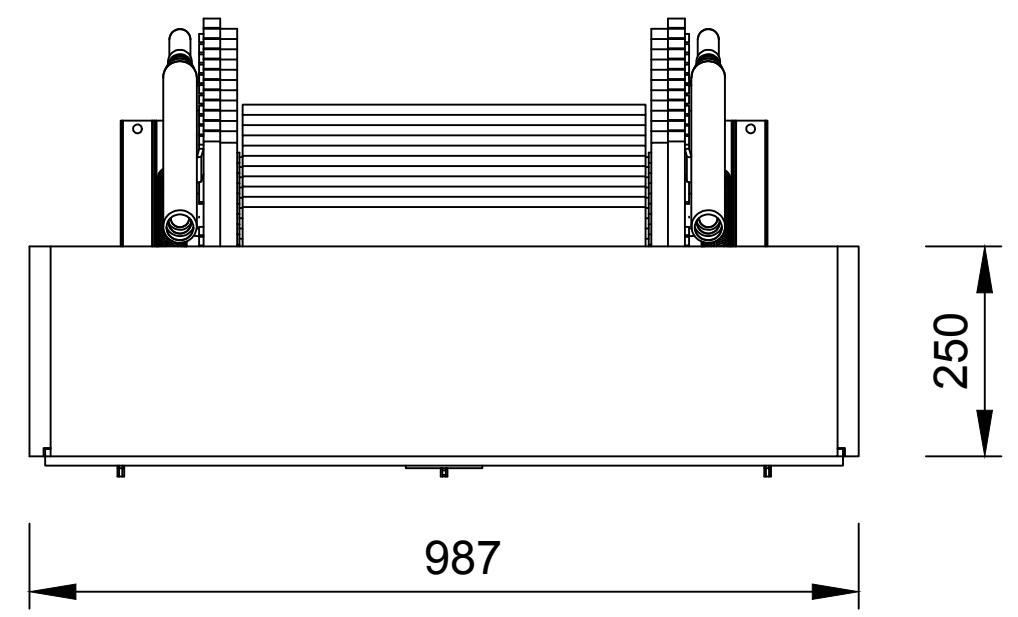
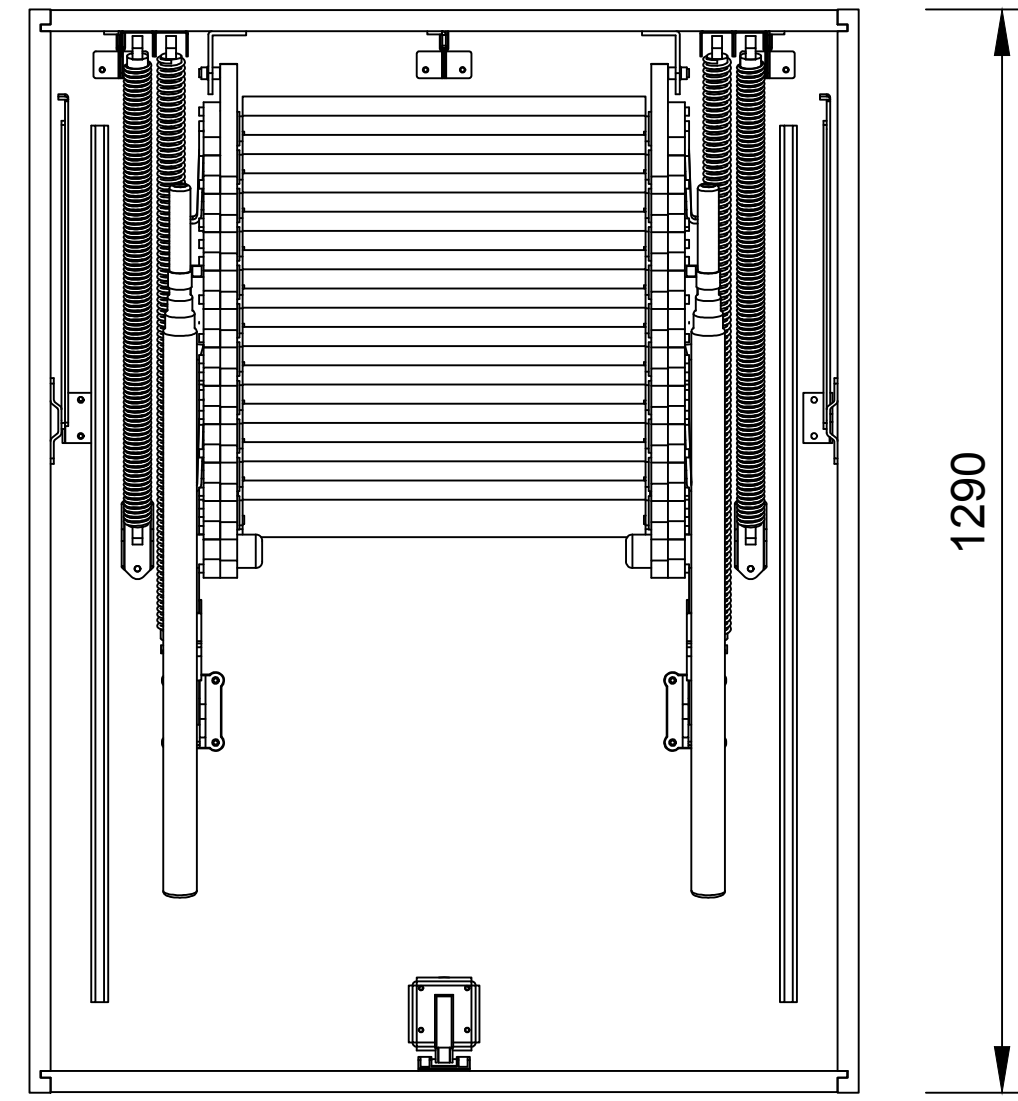
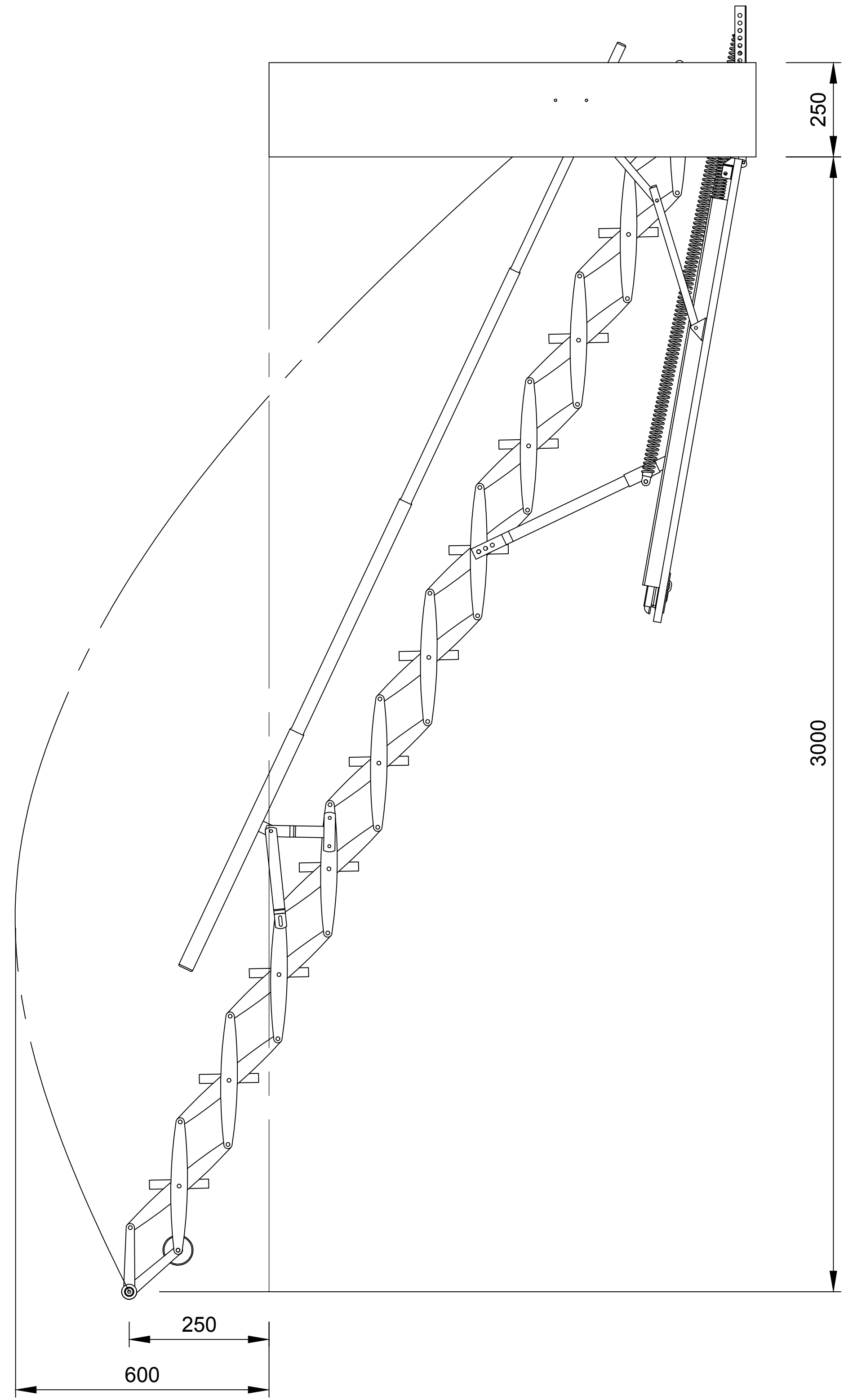


Copyright © 2020 by Gorter Group BV - Schagen, the Netherlands. All rights reserved. This drawing is the property of publisher and incorporates specifications and designs in which publisher has proprietary rights. No part may be reproduced, stored in a database or retrieval system or published in any form or any way without prior written permission from the publisher.



Projection view		Gorter Group BV	
Scale	1:9	PO Box 265 NL 1740 AG SCHAGEN www.gortergroup.com E-mail: sales@gortergroup.com Tel: +31 224 21 98 60 Fax: +31 224 21 98 61	
Designation	Scissor stairs XL		
Drawing number	XL 1000x1300	Rev.	1/1
		00	A1

