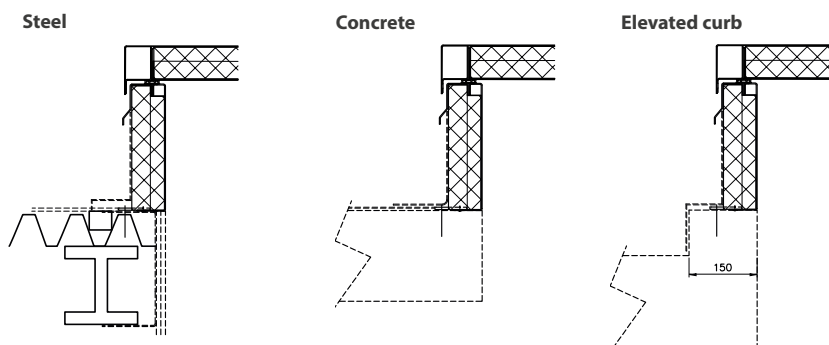
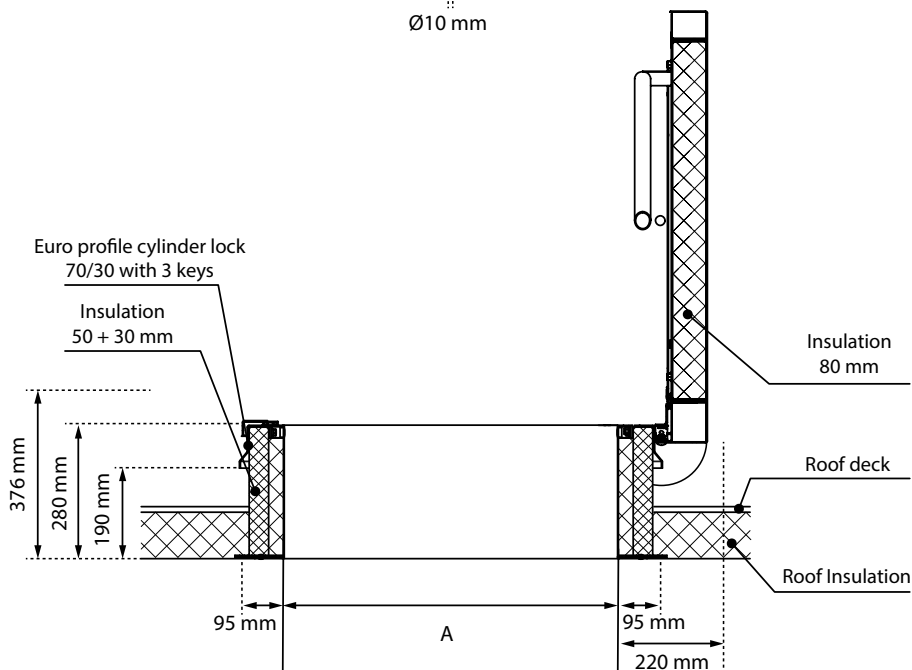
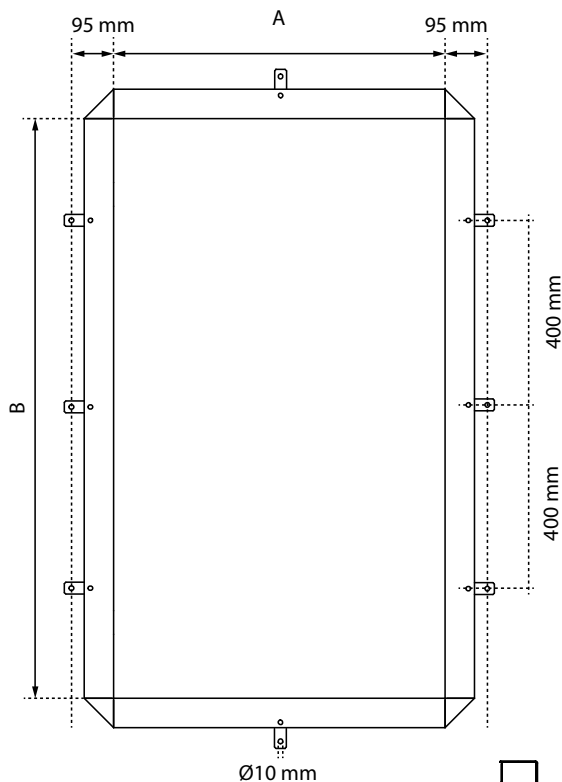
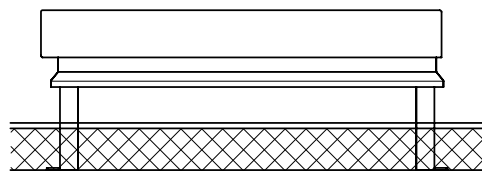


# Technical Data Sheet - Roof Hatches RHT/RHTEI/RHTX



## Type RHT

Roof hatch, single lid, aluminium

| Type    | A       | B       | Weight |
|---------|---------|---------|--------|
| RHT7090 | 700 mm  | 900 mm  | 38 kg  |
| RHT9090 | 900 mm  | 900 mm  | 44 kg  |
| RHT7014 | 700 mm  | 1400 mm | 52 kg  |
| RHT1015 | 1000 mm | 1500 mm | 65 kg  |
| RHT1212 | 1200 mm | 1200 mm | 63 kg  |
| RHT1020 | 1000 mm | 2000 mm | 82 kg  |
| RHT9024 | 900 mm  | 2400 mm | 89 kg  |

## Type RHTEI

Roof hatch, fire rated 120 minutes

| Type      | A       | B       | Weight |
|-----------|---------|---------|--------|
| RHTEI7090 | 700 mm  | 900 mm  | 134 kg |
| RHTEI9090 | 900 mm  | 900 mm  | 157 kg |
| RHTEI7014 | 700 mm  | 1400 mm | 185 kg |
| RHTEI1010 | 1000 mm | 1000 mm | 180 kg |
| RHTEI1015 | 1000 mm | 1500 mm | 236 kg |
| RHTEI1020 | 1000 mm | 2000 mm | 298 kg |
| RHTEI9024 | 900 mm  | 2400 mm | 323 kg |

## Type RHTX


Roof hatch, explosion vent


| Type     | A       | B       | Weight |
|----------|---------|---------|--------|
| RHTX7090 | 700 mm  | 900 mm  | 38 kg  |
| RHTX9090 | 900 mm  | 900 mm  | 44 kg  |
| RHTX7014 | 700 mm  | 1400 mm | 52 kg  |
| RHTX1015 | 1000 mm | 1500 mm | 65 kg  |
| RHTX1212 | 1200 mm | 1200 mm | 63 kg  |
| RHTX1020 | 1000 mm | 2000 mm | 82 kg  |
| RHTX9024 | 900 mm  | 2400 mm | 89 kg  |

## Usage

Roof hatches are generally only suitable for concrete, steel and wooden roofs. On higher roofs as well. Maximum slope of the roof as per table below.

| Roof hatch type | Maximum roof angle |
|-----------------|--------------------|
| RHT             | : 30°              |
| RHTEI           | : 5°               |
| RHTX            | : 0°               |





**Gorter Group BV**  
PO Box 265  
NL-1740 AG SCHAGEN  
The Netherlands

ETA 15/0338

**Gorter Roof Hatch with thermal break (RHT)**

Resistance to permanent load, concentrated and uniformly distributed (Eurocode EN 1993-1-1) : 1050 kg/m<sup>2</sup>

Thermal transmittance (EN-ISO 10077-2) : U<sub>n</sub> ≤ 0.32 W/(m<sup>2</sup>·K)

Resistance to snow load (EN 1991-1-3) : 405 kg/m<sup>2</sup>

Resistance to wind load (EN 12210) : Class E 3000

Water tightness (EN 12208) : Class E 650

Impact, hard body (EN 356) : Class PSA

Impact, soft body (EN 13049) : Class 5

Airborne sound insulation (EN-ISO 717-1) : 26 dB

Air permeability (EN 12207) : Class 3

Content and/or release of dangerous substances : Declaration of manufacturer

## Structural opening size

- The opening size of the roof hatch will match the structural opening size of the roof.
- If combined with a scissor stair attic ladder, the opening size may differ - please consult [www.gortergroup.com](http://www.gortergroup.com) for confirmation.

User manual and installation instructions supplied with product.

