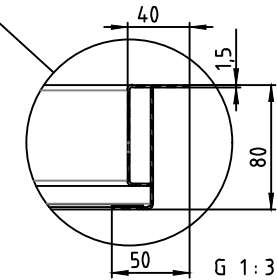
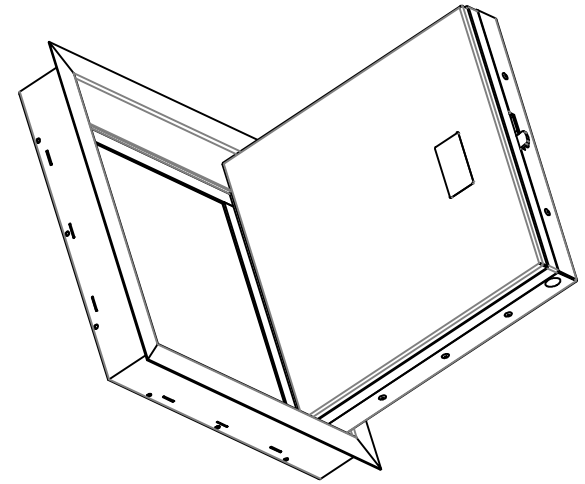
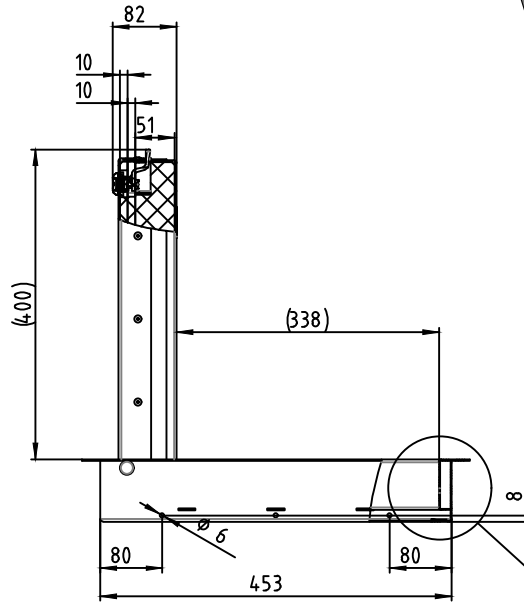
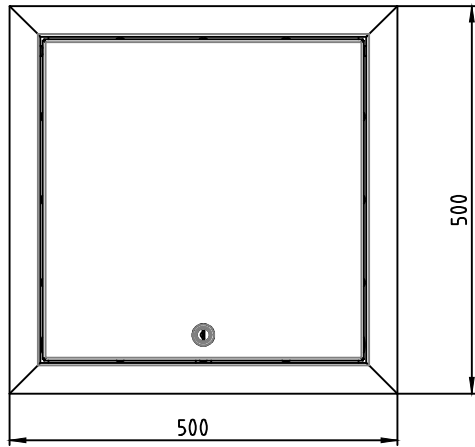
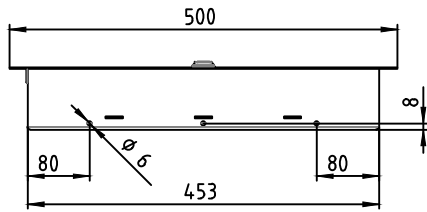
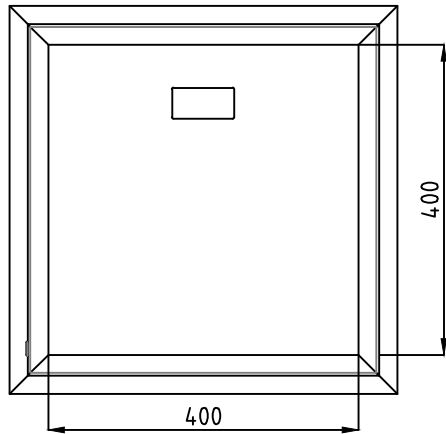


Copyright © 2018 by The Gorter Company BV - Schagen, the Netherlands  
 All rights reserved. No part may be reproduced, stored in a database or retrieval system or published in any form or by any means without prior written permission from the publisher.



The Gorter Company BV									
PO Box 265 NL-1740 AG SCHAGEN www.gortergroup.com E-mail: sales@gortergroup.com Tel: +31 224 21 98 60 Fax: +31 224 21 98 61									
Designation Wall door fire rated B									
Scale 1:6									
Drawing number B-0400-0400									
Rev. 1/1									
A3									

